



**BASIC 13**

|                         |  |
|-------------------------|--|
| <b>PRODUCT MATERIAL</b> | Die-cast aluminium                             |
| <b>LIGHT SOURCE</b>     | MR16 / GU10 LED / LMR50                        |
| <b>MODULE LIFETIME</b>  | Approx. 30.0000 hours                          |
| <b>DRIVER</b>           | See options                                    |
| <b>COLORS (Δ)</b>       | ○ 3 = RAL 9003 white<br>● 5 = RAL 9005 black   |
| <b>BEAM ANGLE</b>       | 20° 30°  |
| <b>ADJUSTABLE</b>       | Yes  |
| <b>SIZE</b>             | 130 X 130 X 43mm <b>or incl. LMR50 X 100mm</b> |



**OPTIONS LMR50**

|   |  |         |
|---|--|---------|
| <b>GLASS COVER CLEAR</b>  | Glass IP44<br>art. no.: 0053.999.99.0                      | € 7,50  |
| <b>DIMMABLE DRIVERS 350mA</b><br><i>IN COMBINATION WITH THIS LUMINAIRE. ADDITIONAL PRICE.</i> | Fixed output<br>350mA 10W<br>art. no.: 0000.000.00.0       | € 0,00  |
|   | Phase-cut Dimmable<br>350mA 10W<br>art. no.: 0110.350.10.1 | € 29,50 |
|   | 1/10v Dimmable<br>350mA 10W<br>art. no.: 0110.350.10.1     | € 29,50 |
|   | DALI Dimmable<br>350mA 18W<br>art. no.: 0118.350.15.1      | € 55,00 |

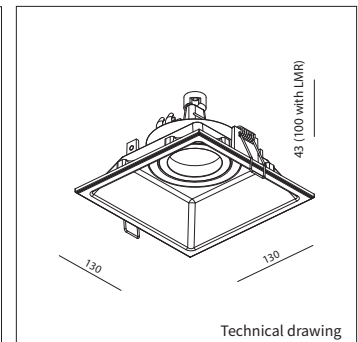
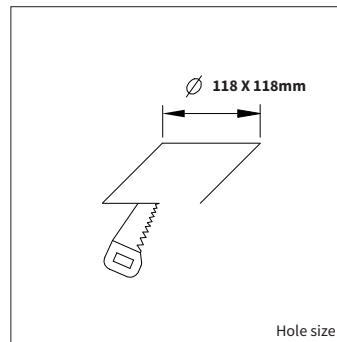
BASIC 13

**INFORMATION**

**!** Only luminaire body, lightsource and/or driver excluded  
All drivers include a cable and plug

**Including an assemble plate to mount a single unit into a double, triple, quadruple or "L" shape unit easily in a short time**

Keylight International reserves the right to modify or change technical, construction or LED specifications due to continuous improvements of our products and lightsources.



| ART.NR.       | LAMP TYPE | BRAND        | LUMINOUS FLUX | OUTPUT POWER | MODULE EFFICIENCY | COLOUR TEMPERATURE | CRI | TC LIFETIME | BEAM ANGLE | mA  | SALES PRICE |
|---------------|-----------|--------------|---------------|--------------|-------------------|--------------------|-----|-------------|------------|-----|-------------|
| Δ see colors  |           |              |               |              |                   |                    |     |             |            |     |             |
| 4908.001.98.Δ | MR16      | ~            | ~             | Max. 50W     | ~                 | ~                  | ~   | ~           | ~          | ~   | ~           |
| 4908.002.98.Δ | GU10      | ~            | ~             | Max. 50W     | ~                 | ~                  | ~   | ~           | ~          | ~   | ~           |
| 4908.171.20.Δ | LMR50     | Bridgelux V6 | 575lm         | 6,8W         | 85lm/W            | 2700K              | >90 | 30.000 Hrs  | 20°        | 350 |             |
| 4908.172.30.Δ | LMR50     | Bridgelux V6 | 575lm         | 6,8W         | 85lm/W            | 2700K              | >90 | 30.000 Hrs  | 30°        | 350 |             |
| 4908.173.20.Δ | LMR50     | Bridgelux V6 | 600lm         | 6,8W         | 88lm/W            | 3000K              | >90 | 30.000 Hrs  | 20°        | 350 |             |
| 4908.174.30.Δ | LMR50     | Bridgelux V6 | 600lm         | 6,8W         | 88lm/W            | 3000K              | >90 | 30.000 Hrs  | 30°        | 350 |             |
| 4908.175.20.Δ | LMR50     | Sharp GW6    | 563lm         | 6,6W         | 85lm/W            | 2000 - 2800K       | >80 | 30.000 Hrs  | 20°        | 350 |             |
| 4908.176.30.Δ | LMR50     | Sharp GW6    | 563lm         | 6,6W         | 85lm/W            | 2000 - 2800K       | >80 | 30.000 Hrs  | 30°        | 350 |             |