

BASIC 17



PRODUCT MATERIAL	Die-cast aluminium
LIGHT SOURCE	QR70 LED spot
MODULE LIFETIME	Approx. 30.000 hours
DRIVER	See options
COLORS	○ 3 = RAL 9003 white
BEAM ANGLE	24°
ADJUSTABLE	Yes
SIZE	170 X 170 X 65mm



OPTIONS

DIMMABLE DRIVERS 350mA		
<i>IN COMBINATION WITH THIS LUMINAIRE. ADDITIONAL PRICE.</i>	Fixed output 350mA 10W art. no.: 0110.350.10.1	€ 0,00
	Phase-cut Dimmable 350mA 10W art. no.: 0110.350.10.1	€ 29,50
	1/10v Dimmable 350mA 10W art. no.: 0110.350.10.1	€ 29,50
	DALI Dimmable 350mA 18W art. no.: 0118.350.15.1	€ 55,00

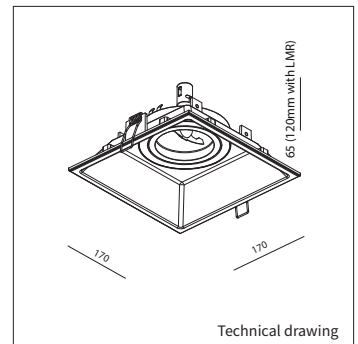
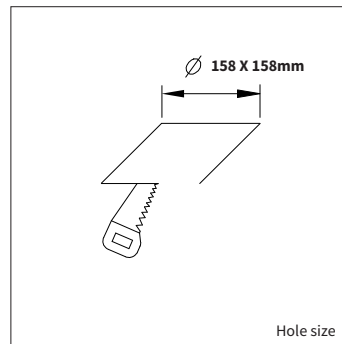
BASIC 17

INFORMATION

- Only luminaire body, lightsource and/or driver excluded
- All drivers include a cable and plug

Including an assemble plate to mount a single unit into a double, triple, quadruple or "L" shape unit easily in a short time

Keylight International reserves the right to modify or change technical, construction or LED specifications due to continuous improvements of our products and lightsources.



ART.NR.	LAMP TYPE	BRAND	LUMINOUS FLUX	OUTPUT POWER	MODULE EFFICIENCY	COLOUR TEMPERATURE	CRI	TC LIFETIME	BEAM ANGLE	mA	SALES PRICE
4909.001.98.3	Ba15D / QR70	~	~	Max. 50W	~	~	~	~	~	~	~
4909.070.24.3	QR70 LED	KL	300lm	6W	50lm/W	2700K	>90	30.000 Hrs	24°	150	
4909.080.24.3	QR70 LED	KL	300lm	6W	50lm/W	2000 - 2700K	>90	30.000 Hrs	24°	150	