



**ORBIT 40**

<b>PRODUCT MATERIAL</b>	Steel and aluminium
<b>LIGHT SOURCE</b>	AC integrated LED module
<b>MODULE LIFETIME</b>	Approx. 50.000 hours
<b>LED COOLING</b>	Passive cooling
<b>DRIVER</b>	AC
<b>COLORS (Δ)*</b>	<ul style="list-style-type: none"> <li>○ 3 = RAL 9003 white</li> <li>● 5 = RAL 9005 black</li> <li>● 6 = RAL 9006 alu</li> </ul>
<b>REFLECTOR PLATE</b>	Opal diffuser
<b>ADJUSTABLE</b>	No
<b>SIZE</b>	425 X 120MM



**OPTIONS**

<b>COLORS</b>	Available in all RAL colours on request Additional price + 10%	
<b>DIMMABLE</b>	Dimmable DALI	€ 60,00
<b>PENDENT</b>	Also available as a pendant version on req.	

ORBIT 40

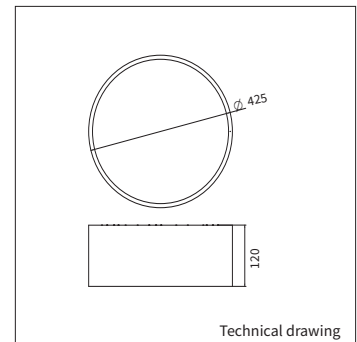
**INFORMATION**

<b>WARRANTY</b>	5 Years
-----------------	---------

Δ see colors

\* Our Ecoline version is only available in RAL 9006 and RAL 9003

Keylight International reserves the right to modify or change technical, construction or LED specifications due to continuous improvements of our products and light sources. The light source in this product can be replaced with an equivalent module made by Philips, Osram or Tridonic.



Technical drawing

ART.NR.	VERSION	LAMP TYPE	BRAND	LUMINOUS FLUX	OUTPUT POWER	MODULE EFFICIENCY	COLOUR TEMPERATURE	CRI	TC LIFETIME	POWER FACTOR
Δ see color										
5435.183.91Δ	Ecoline	AC LED module	Philips	4000LM	29W	138LM/W	3000K	>80	50.000 Hrs	>0,9
5435.184.91Δ	Ecoline	AC LED module	Philips	4000LM	29W	138LM/W	4000K	>80	50.000 Hrs	>0,9
5425.195.91Δ		AC LED module	Philips	3900LM	29W	135LM/W	3000K	>80	50.000 Hrs	>0,9
5425.196.91Δ		AC LED module	Philips	4000LM	29W	138LM/W	4000K	>80	50.000 Hrs	>0,9