



POXY 2

<b>PRODUCT MATERIAL</b>	Steel and aluminium
<b>LIGHT SOURCE</b>	SLM G6
<b>MODULE LIFETIME</b>	Approx. 50.000 hours
<b>LED COOLING</b>	Passive cooling
<b>DRIVER</b>	Incl. Xitanium driver.
<b>COLORS (Δ)</b>	○ + ● <b>35</b> = RAL 9003 + black ● + ● <b>55</b> = RAL 9005 + black ● + ● <b>65</b> = RAL 9006 + black
<b>BEAM ANGLE</b>	Glossy
<b>ADJUSTABLE</b>	Yes
<b>SIZE</b>	275 X 158 X 130MM



OPTIONS

<b>COLORS</b>	Available in all RAL colours on request. Additional price + 10%		
<b>EMERGENCY BALLAST</b>	0187.003.01 1 hour	€	180,00
<b>DIMMABLE</b>	Dimmable DALI	€	60,00
<b>BEAM ANGLE</b>	Matte reflector		On request

POXY 2

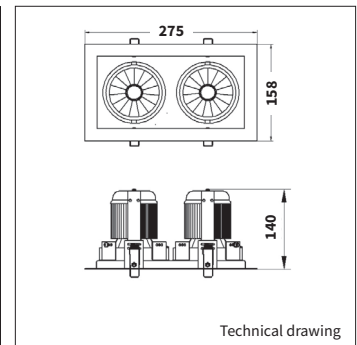
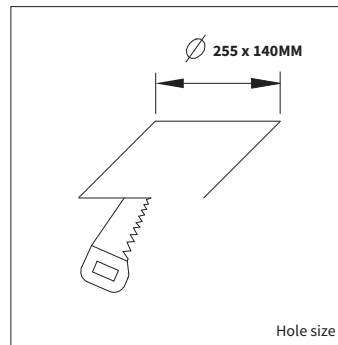
INFORMATION

<b>WARRANTY</b>	5 Years
-----------------	---------

Δ = product color code. See colors including cable and plug.

- This luminaire can be customized with different RAL color combinations. For example: White inside and black as the outer frame color.
- 3 and 4 light luminaire available on request.

Keylight International reserves the right to modify or change technical, construction or LED specifications due to continuous improvements of our products and light sources. The light source in this product can be replaced with an equivalent module made by Philips, Osram or Tridonic.



AVAILABLE SLM OPTIONS

To order the correct product, please replace **COB\*** in the article number field with the COB code found on the last page of the catalogue

ARTICLE NUMBER Δ See colors	LUMINOUS FLUX	BRAND	OUTPUT POWER	COLOUR TEMPERATURE	CRI	SETTING	POWER FACTOR
4175.COB*.24.Δ	2X 1100	Philips SLM G6	2X 7W	827 / 830 / 835 / 840 / 850	>80	High Efficiency	>0,9
4175.COB*.24.Δ	2X 1100	Philips SLM G6	2X 8W	927 / 930	>90	High Efficiency	>0,9
4175.COB*.24.Δ	2X 1100	Philips SLM G6	2X 7W	830 Premium White	>80	High Efficiency	>0,9
4175.COB*.24.Δ	2X 1100	Philips SLM G6	2X 8W	930 / 935 / 940 Premium White	>90	High Efficiency	>0,9
4175.COB*.24.Δ	2X 1100	Philips SLM G6	2X 10W	930 Crisp White (930 CW)	>90	High Efficiency	>0,9
4175.COB*.24.Δ	2X 1100	Philips SLM G6	2X 11W	Food Warm White (FWW)	84	High Efficiency	>0,9
4175.COB*.24.Δ	2X 1100	Philips SLM G6	2X 11W	Food Premium Red (FPR)	88	High Efficiency	>0,9
4175.COB*.24.Δ	2X 2000	Philips SLM G6	2X 13W	827 / 830 / 835 / 840 / 850	>80	High Efficiency	>0,9
4175.COB*.24.Δ	2X 2000	Philips SLM G6	2X 17W	927 / 930	>90	High Efficiency	>0,9
4175.COB*.24.Δ	2X 2000	Philips SLM G6	2X 14W	830 Premium White	>80	High Efficiency	>0,9
4175.COB*.24.Δ	2X 2000	Philips SLM G6	2X 16W	930 / 935 / 940 Premium White	>90	High Efficiency	>0,9
4175.COB*.24.Δ	2X 2000	Philips SLM G6	2X 21W	930 Crisp White (930 CW)	>90	High Efficiency	>0,9
4175.COB*.24.Δ	2X 2000	Philips SLM G6	2X 23W	Food Warm White (FWW)	84	High Efficiency	>0,9
4175.COB*.24.Δ	2X 2000	Philips SLM G6	2X 22W	Food Premium Red (FPR)	88	High Efficiency	>0,9
4175.COB*.24.Δ	2X 3000	Philips SLM G6	2X 19W	827 / 830 / 835 / 840 / 850 / 857	>80	High Efficiency	>0,9
4175.COB*.24.Δ	2X 3000	Philips SLM G6	2X 26W	927 / 930	>90	High Efficiency	>0,9
4175.COB*.24.Δ	2X 3000	Philips SLM G6	2X 20W	830 Premium White	>80	High Efficiency	>0,9
4175.COB*.24.Δ	2X 3000	Philips SLM G6	2X 25W	930 / 935 / 940 Premium White	>90	High Efficiency	>0,9
4175.COB*.24.Δ	2X 3000	Philips SLM G6	2X 32W	930 Crisp White (930 CW)	>90	High Efficiency	>0,9
4175.COB*.24.Δ	2X 3000	Philips SLM G6	2X 39W	Food Warm White (FWW)	84	High Efficiency	>0,9
4175.COB*.24.Δ	2X 3000	Philips SLM G6	2X 37W	Food Premium Red (FPR)	88	High Efficiency	>0,9
4175.COB*.24.Δ	2X 4500	Philips SLM G6	2X 29W	827 / 830 / 835 / 840 / 850 / 857	>80	High Efficiency	>0,9
4175.COB*.24.Δ	2X 4500	Philips SLM G6	2X 38W	927 / 930	>90	High Efficiency	>0,9
4175.COB*.24.Δ	2X 4500	Philips SLM G6	2X 30W	830 Premium White	>80	High Efficiency	>0,9
4175.COB*.24.Δ	2X 4500	Philips SLM G6	2X 37W	930 / 935 / 940 Premium White	>90	High Efficiency	>0,9

High efficiency is the standard Keylight setting for all SLM G6 LED modules. For technical and warranty information regarding high efficiency, see last page of the catalogue. Standard system warranty is 5 years.