

QUAD 18



<b>PRODUCT MATERIAL</b>	Die-cast aluminium + alu
<b>LIGHT SOURCE</b>	DLM Flex / DLM Ease Select AC
<b>MODULE LIFETIME</b>	DLM Flex 60.000 Hrs / DLM ES 50.000 Hrs
<b>LED COOLING</b>	Passive cooling
<b>DRIVER DLM</b>	Incl. standard xitanium driver / AC
<b>COLORS</b> Δ	● 3 = RAL 9003 black ○ 5 = RAL 9005 white
<b>BEAM ANGLE</b>	90°
<b>ADJUSTABLE</b>	No
<b>SIZE</b>	176 X 176 X 149MM



OPTIONS (DLM FLEX ONLY)

<b>EMERGENCY BALLAST</b>	0187.003.01 - 1 hours. DLM Flex	€ 180,00
<b>DIMMABLE</b>	Dimmable DALI. DLM Flex	€ 60,00

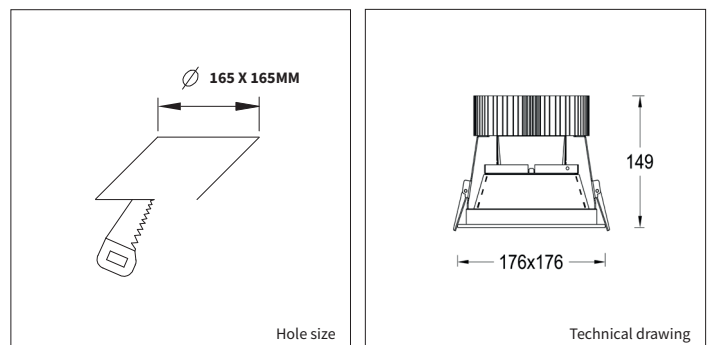
INFORMATION

<b>WARRANTY</b>	5 Years
-----------------	---------

QUAD 18

The reflector is made of high quality 320 Alanod material. including cable and plug. High Housing

Keylight International reserves the right to modify or change technical, construction or LED specifications due to continuous improvements of our products and lightsources.



FORTIMO DLM EASE SELECT G1

Different lumen output or wattages available on request

ART.NR.	LUMEN	PHILIPS FORTIMO DLM ES G1	HOUSING	LUMINOUS FLUX	MODULE EFFICIENCY	OUTPUT POWER	COLOUR TEMPERATURE	CRI	INPUT VOLTAGE	TC	POWER FACTOR	TC LIFETIME
4407.281.80Δ	1100	FORTIMO DLM ES 830	Low	1080LM	114LM/W	10W	3000K	>80	230V	85°C	>0,9	50.000 Hrs
4407.282.80Δ	1100	FORTIMO DLM ES 840	Low	1100LM	116LM/W	10W	4000K	>80	230V	85°C	>0,9	50.000 Hrs
4407.283.80Δ	2000	FORTIMO DLM ES 830	Low	1930LM	110LM/W	18W	3000K	>80	230V	85°C	>0,9	50.000 Hrs
4407.284.80Δ	2000	FORTIMO DLM ES 840	Low	2000LM	114LM/W	18W	4000K	>80	230V	85°C	>0,9	50.000 Hrs
4407.285.80Δ	3000	FORTIMO DLM ES 830	Low	2850LM	108LM/W	26.5W	3000K	>80	230V	85°C	>0,9	50.000 Hrs
4407.286.80Δ	3000	FORTIMO DLM ES 840	Low	3000LM	108LM/W	26.5W	4000K	>80	230V	85°C	>0,9	50.000 Hrs

High efficiency is the standard Keylight setting for all DLM G2 LED modules. For technical and warranty information regarding high efficiency, see page 300. Standard system warranty is 5 years.

FORTIMO DLM FLEX G2

Different lumen output or wattages available on request

ART.NR.	LUMEN	PHILIPS FORTIMO DLM G2	HOUSING	LUMINOUS FLUX	MODULE EFFICIENCY	OUTPUT POWER	COLOUR TEMPERATURE	CRI	INPUT VOLTAGE	TC	POWER FACTOR	TC LIFETIME
4408.101.80Δ	1100	DLM FLEX 830 G2	Low	1075LM	115LM/W	9.8W	3000K	>80	34V	85°C	>0,9	60.000 Hrs
4408.102.80Δ	1100	DLM FLEX 840 G2	Low	1075LM	127LM/W	8.6W	4000K	>80	34V	85°C	>0,9	60.000 Hrs
4408.103.80Δ	2000	DLM FLEX 830 G2	Low	1954LM	113LM/W	17.6W	3000K	>80	34V	85°C	>0,9	60.000 Hrs
4408.104.80Δ	2000	DLM FLEX 840 G2	Low	1954LM	125LM/W	16.0W	4000K	>80	34V	85°C	>0,9	60.000 Hrs
4408.105.80Δ	3000	DLM FLEX 830 G2	Low	2931LM	115LM/W	26.8W	3000K	>80	34V	85°C	>0,9	60.000 Hrs
4408.106.80Δ	3000	DLM FLEX 840 G2	Low	2931LM	127LM/W	23.4W	4000K	>80	34V	85°C	>0,9	60.000 Hrs

High efficiency is the standard Keylight setting for all DLM G2 LED modules. For technical and warranty information regarding high efficiency, see page 300. Standard system warranty is 5 years.