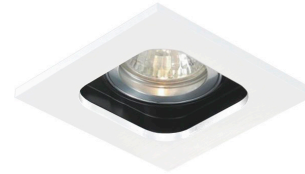




QUASAR 10-1

PRODUCT MATERIAL	Aluminium
LIGHT SOURCE	MR16 / GU10 LED / LMR50
MODULE LIFETIME	Approx. 30.0000 hours
DRIVER	See options
COLORS (Δ)	<input type="radio"/> 3 = RAL 9003 white <input checked="" type="radio"/> 5 = RAL 9005 black <input type="radio"/> 6 = RAL 9006 alu
BEAM ANGLE	<input checked="" type="checkbox"/> 20° <input checked="" type="checkbox"/> 30°
ADJUSTABLE	Yes
SIZE	100 x 100 X 50mm or incl. LMR50 100 x 90mm



OPTIONS LMR50

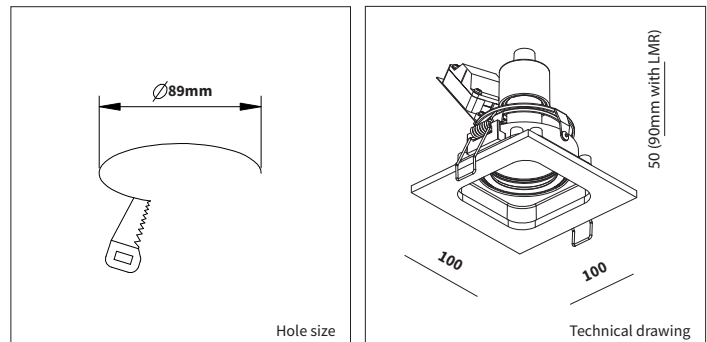
GLASS COVER CLEAR	Glass IP44 art. no.: 0053.999.99.0	€ 7,50
DIMMABLE DRIVERS 350mA <i>IN COMBINATION WITH THIS LUMINAIRE. ADDITIONAL PRICE.</i>	Fixed output 350mA 10W art. no.: 0000.000.00.0	€ 0,00
	Phase-cut Dimmable 350mA 10W art. no.: 0110.350.10.1	€ 29,50
	1/10v Dimmable 350mA 10W art. no.: 0110.350.10.1	€ 29,50
	DALI Dimmable 350mA 18W art. no.: 0118.350.15.1	€ 55,00

QUASAR 10-1

INFORMATION

! Only luminaire body, lightsource and/or driver excluded
All drivers include a cable and plug

Keylight International reserves the right to modify or change technical, construction or LED specifications due to continuous improvements of our products and lightsources.



ART.NR.	LAMP TYPE	BRAND	LUMINOUS FLUX	OUTPUT POWER	MODULE EFFICIENCY	COLOUR TEMPERATURE	CRI	TC LIFETIME	BEAM ANGLE	mA	SALES PRICE
Δ see colors											
! 4906.001.98.Δ	MR16	~	~	Max. 50W	~	~	~	~	~	~	€ 22,50
! 4906.002.98.Δ	GU10	~	~	Max. 50W	~	~	~	~	~	~	€ 22,50
4906.171.20.Δ	LMR50	Bridgelux V6	575lm	6,8W	85lm/W	2700K	>90	30.000 Hrs	20°	350	€ 65,00
4906.172.30.Δ	LMR50	Bridgelux V6	575lm	6,8W	85lm/W	2700K	>90	30.000 Hrs	30°	350	€ 65,00
4906.173.20.Δ	LMR50	Bridgelux V6	600lm	6,8W	88lm/W	3000K	>90	30.000 Hrs	20°	350	€ 65,00
4906.174.30.Δ	LMR50	Bridgelux V6	600lm	6,8W	88lm/W	3000K	>90	30.000 Hrs	30°	350	€ 65,00
4906.175.20.Δ	LMR50	Sharp GW6	563lm	6,6W	85lm/W	2000 - 2800K BTW	>80	30.000 Hrs	20°	350	€ 95,00
4906.176.30.Δ	LMR50	Sharp GW6	563lm	6,6W	85lm/W	2000 - 2800K BTW	>80	30.000 Hrs	30°	350	€ 95,00