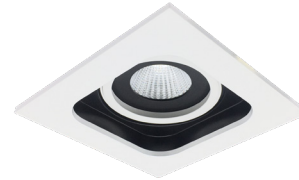




QUASAR 12-1

PRODUCT MATERIAL	Aluminium
LIGHT SOURCE	QR70 LED spot
MODULE LIFETIME	Approx. 30.000 hours
DRIVER	See options
COLORS (Δ)	<input type="radio"/> 3 = RAL 9003 white <input checked="" type="radio"/> 5 = RAL 9005 black <input type="radio"/> 6 = RAL 9006 alu
BEAM ANGLE	
ADJUSTABLE	Yes
SIZE	123 X 123mm



OPTIONS

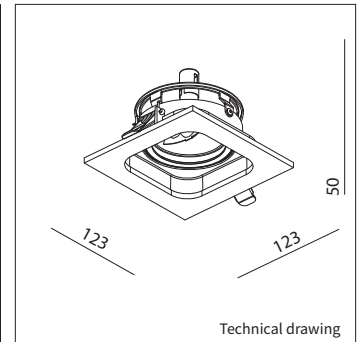
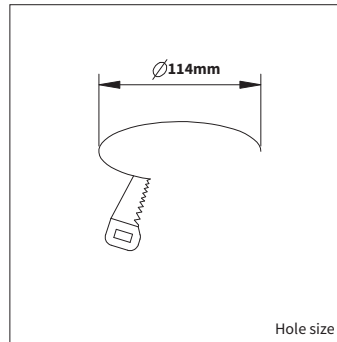
DIMMABLE DRIVERS 350mA <small>IN COMBINATION WITH THIS LUMINAIRE. ADDITIONAL PRICE.</small>	Fixed output 350mA 10W art. no.: 0110.350.10.1	€ 0,00
	Phase-cut Dimmable 350mA 10W art. no.: 0110.350.10.1	€ 29,50
	1/10v Dimmable 350mA 10W art. no.: 0110.350.10.1	€ 29,50
	DALI Dimmable 350mA 18W art. no.: 0118.350.15.1	€ 55,00

QUASAR 12-1

INFORMATION

- Only luminaire body, lightsource and/or driver excluded
- All drivers include a cable and plug

Keylight International reserves the right to modify or change technical, construction or LED specifications due to continuous improvements of our products and lightsources.



ART.NR.	LAMP TYPE	BRAND	LUMINOUS FLUX	OUTPUT POWER	MODULE EFFICIENCY	COLOUR TEMPERATURE	CRI	TC LIFETIME	BEAM ANGLE	mA	SALES PRICE
Δ see colors											
4903.001.98.Δ	Ba15D / QR70	~	~	Max. 50W	~	~	~	~	~	~	~
4903.070.24.Δ	QR70 LED	KL	300lm	6W	50lm/W	2700K	>90	30.000 Hrs	24°	150	
4903.080.24.Δ	QR70 LED	KL	300lm	6W	50lm/W	2000 - 2700K	>90	30.000 Hrs	24°	150	