



ROUNDY 120 / 150

PRODUCT MATERIAL	Steel and aluminium
LIGHT SOURCE	Philips LED Module
MODULE LIFETIME	Approx. 50.000 hours
DRIVER	Including driver
COLORS (Δ)	<ul style="list-style-type: none"> ○ 3 = RAL 9003 white ● 5 = RAL 9005 black ● 6 = RAL 9006 alu
REFLECTOR	Aluminium white
SIZE	1200 X 190mm / 1500 X 190mm



OPTIONS

COLORS	Available in all RAL colours on request Additional price + 10%	
EMERGENCY BALLAST	0187.003.01.0 - 1 hour	on request
DIMMABLE	DALI dimmable	on request
DIFFUSER	White acrylic diffuser in standard Acrylic frosted, microprismatic or any other on request	
IP CLASS	IP20 in standard, IP44 on request	
MOVEMENT SENSOR	On request	
DAYLIGHT CONTROL SENSOR	On request	

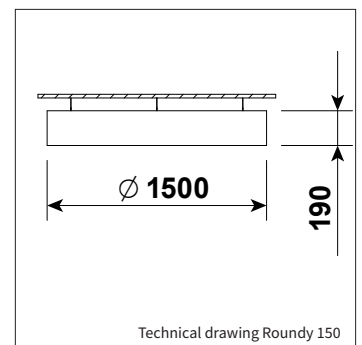
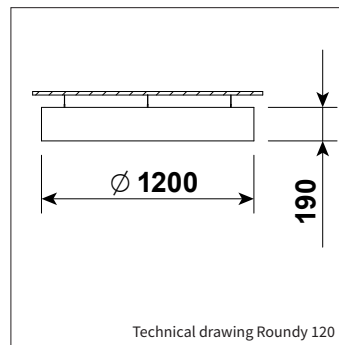
ROUNDY 120 / 150

INFORMATION

WARRANTY	5 Years
-----------------	---------

1.5m suspension set standard

Keylight International reserves the right to modify or change technical, construction or LED specifications due to continuous improvements of our products and light sources. The light source in this product can be replaced with an equivalent module made by Philips, Osram or Tridonic.



ART.NR.	LAMP TYPE	BRAND	LIGHT OUTPUT	MODULE POWER	MODULE EFFICIENCY	CORRELATED COLOUR TEMPERATURE	COLOUR RENDERING INDEX	TC LIFE
ROUNDY 120								
Δ see colors								
7150.193.91.Δ	LED module	Philips	13200lm	82W	161lm/W	3000K	>80	50.000 Hrs
7150.194.91.Δ	LED module	Philips	13200lm	82W	161lm/W	4000K	>80	50.000 Hrs
UP/DN								
7151.193.91.Δ	LED module	Philips	26400lm	164W	161lm/W	3000K	>80	50.000 Hrs
7151.194.91.Δ	LED module	Philips	26400lm	164W	161lm/W	4000K	>80	50.000 Hrs
ROUNDY 150								
Δ see colors								
7149.193.91.Δ	LED module	Philips	17600lm	110W	160lm/W	3000K	>80	50.000 Hrs
7149.194.91.Δ	LED module	Philips	17600lm	110W	160lm/W	4000K	>80	50.000 Hrs
UP/DN								
7148.193.91.Δ	LED module	Philips	35200lm	220W	160lm/W	3000K	>80	50.000 Hrs
7148.194.91.Δ	LED module	Philips	35200lm	220W	160lm/W	4000K	>80	50.000 Hrs