

SOL 17



<b>PRODUCT MATERIAL</b>	Steel and Alu
<b>LIGHT SOURCE</b>	DLM Flex
<b>MODULE LIFETIME</b>	Approx. 60.000 hours
<b>LED COOLING</b>	Passive cooling
<b>DRIVER DLM-I</b>	Incl. 230V intergrated driver.
<b>DRIVER DLM</b>	Incl. standard xitanium driver.
<b>COLORS</b>	<ul style="list-style-type: none"> <li>○ 3 = RAL 9003 white</li> <li>● 5 = RAL 9005 black</li> <li>● 6 = RAL 9006 alu</li> </ul>
<b>BEAM ANGLE</b>	
<b>ADJUSTABLE</b>	No
<b>SIZE</b>	170 X 240MM



**OPTIONS**

<b>COLORS</b>	Available in all RAL colours on request Additional price + 10%
<b>DIMMABLE</b>	Dimmable DALI € 60,00
<b>GLASS &amp; IP RING</b>	Optional IP44 ring with clear or mat glass Price on request.
<b>PENDENT</b>	Also available as a pendent version on req.

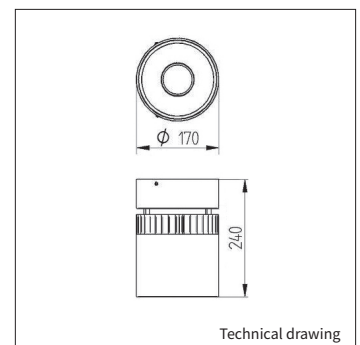
SOL 17

**INFORMATION**

<b>WARRANTY</b>	5 Years
-----------------	---------

Δ see colors

Keylight International reserves the right to modify or change technical, construction or LED specifications due to continuous improvements of our products and lightsources. The light source in this product can be replaced with an equivalent module made by Philips, Osram or Tridonic.



**FORTIMO DLM FLEX G2**

Different lumen output or wattages available on request

ART.NR.	LUMEN	PHILIPS FORTIMO DLM G2	HOUSING	LUMINOUS FLUX	MODULE EFFICIENCY	OUTPUT POWER	COLOUR TEMPERATURE	CRI	INPUT VOLTAGE	TC	POWER FACTOR	TC LIFETIME
5170.201.80.Δ	1100	DLM FLEX 840 G2	High	1074LM	93LM/W	11.7W	3000K	>80	35V	85°C	>0,9	60.000 Hrs
5170.202.80.Δ	1100	DLM FLEX 840 G2	High	1075LM	104LM/W	10.5W	4000K	>80	35V	85°C	>0,9	60.000 Hrs
5170.203.80.Δ	2000	DLM FLEX 840 G2	High	2000LM	91LM/W	22W	3000K	>80	35V	85°C	>0,9	60.000 Hrs
5170.204.80.Δ	2000	DLM FLEX 840 G2	High	2000LM	102LM/W	19.5W	4000K	>80	35V	85°C	>0,9	60.000 Hrs
5170.205.80.Δ	3000	DLM FLEX 840 G2	High	3000LM	94LM/W	32W	3000K	>80	35V	85°C	>0,9	60.000 Hrs
5170.206.80.Δ	3000	DLM FLEX 840 G2	High	3000LM	105LM/W	28.5W	4000K	>80	35V	85°C	>0,9	60.000 Hrs

High efficiency is the standard Keylight setting for all DLM G2 LED modules. For technical and warranty information regarding high efficiency, see page 300. Standard system warranty is 5 years.