



TUBE

PRODUCT MATERIAL	Aluminium
LIGHT SOURCE	MR16 LED / GU10 / LMR50
DRIVER	LMR 50 includes a driver
COLORS (Δ)	○ 3 = RAL 9003 ● 5 = RAL 9005 ● 6 = RAL 9006
BEAM ANGLE	▲ 20° ▲ 30°
ADJUSTABLE	Yes
SIZE	96 X 120MM



OPTIONS LMR

DIMMABLE DRIVERS <small>IN COMBINATION WITH THIS LUMINAIRE. ADDITIONAL PRICE.</small>	1/10v Dimmable 350mA 10W art. no.: 0110.350.10.1	€ 29,50
	Phase-cut Dimmable 350mA 10W art. no.: 0110.350.10.1	€ 29,50
GLASS COVER CLEAR	Glass IP44 art. no.: 0053.999.99.0	€ 7,50

INFORMATION

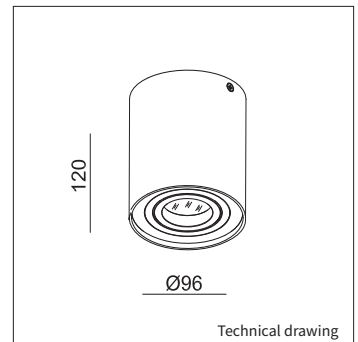
! Only luminaire body, lightsource and/or driver excluded.

LMR includes a driver, cable and plug.

LMR **Dim to Warm** includes a dimmable driver, cable and plug.

Keylight International reserves the right to modify or change technical, construction or LED specifications due to continuous improvements of our products and lightsources.

TUBE



ART.NR.	LAMP TYPE	BRAND	LUMINOUS FLUX	OUTPUT POWER	MODULE EFFICIENCY	COLOUR TEMPERATURE	CRI	TC LIFETIME	BEAM ANGLE	mA
Δ see colors										
! 5025.001.98.Δ	MR16	~	~	Max. 50W	~	~	~	~	~	~
! 5025.002.98.Δ	Gu10	~	~	Max. 50W	~	~	~	~	~	~
5025.171.20.Δ	LMR50	Bridgelux V6	575LM	6,8W	85LM/W	2700K	>90	30.000 Hrs	20°	350
5025.172.30.Δ	LMR50	Bridgelux V6	575LM	6,8W	85LM/W	2700K	>90	30.000 Hrs	30°	350
5025.173.20.Δ	LMR50	Bridgelux V6	600LM	6,8W	88LM/W	3000K	>90	30.000 Hrs	20°	350
5025.174.30.Δ	LMR50	Bridgelux V6	600LM	6,8W	88LM/W	3000K	>90	30.000 Hrs	30°	350
5025.175.20.Δ	LMR50	Sharp GW6	563LM	6,6W	85LM/W	2000 - 2800K dtw	>80	30.000 Hrs	20°	350
5025.176.30.Δ	LMR50	Sharp GW6	563LM	6,6W	85LM/W	2000 - 2800K dtw	>80	30.000 Hrs	30°	350