

AUSTIN 32 / 48 / 58



<b>PRODUCT MATERIAL</b>	Steel and aluminium
<b>LIGHT SOURCE</b>	Philips LED Module
<b>MODULE LIFETIME</b>	Approx. 50.000 hours
<b>DRIVER</b>	Including Philips Xitanium driver
<b>COLORS (Δ)</b>	<ul style="list-style-type: none"> <li>○ 3 = RAL 9003 white</li> <li>● 5 = RAL 9005 black</li> <li>● 6 = RAL 9006 alu</li> </ul>
<b>REFLECTOR</b>	Aluminium white
<b>ADJUSTABLE</b>	Yes
<b>SIZE</b>	320 X 97mm / 483 / 583 X 162mm



OPTIONS

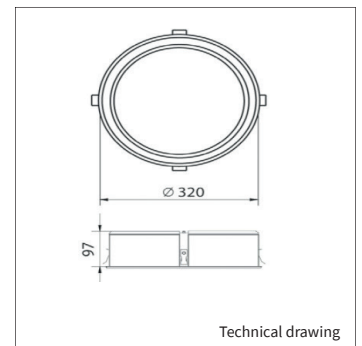
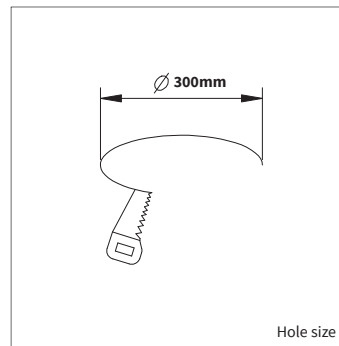
<b>COLORS</b>	Available in all RAL colours on request Additional price + 10%
<b>EMERGENCY BALLAST</b>	187.003.01.0 - 1 hour
<b>DIMMABLE</b>	DALI dimmable
<b>DIFFUSER</b>	Altuglas opalic diffuser in standard microprismatic on request
<b>MOVEMENT SENSOR</b>	On request
<b>DAYLIGHT CONTROL SENSOR</b>	On request

AUSTIN 32 / 48 / 58

INFORMATION

<b>WARRANTY</b>	5 Years
-----------------	---------

Mounting brackets included



Keylight International reserves the right to modify or change technical, construction or LED specifications due to continuous improvements of our products and light sources. The light source in this product can be replaced with an equivalent module made by Philips, Osram or Tridonic.

ART.NR.	LAMP TYPE	BRAND	LUMINOUS FLUX	OUTPUT POWER	MODULE EFFICIENCY	COLOUR TEMPERATURE	CRI	TC LIFETIME
<b>Austin 32</b>								
Δ see colors								
4032.181.91.Δ	LED Plate	Philips	2500lm	21W	119lm/W	3000K	>80	50.000 Hrs
4032.182.91.Δ	LED Plate	Philips	2500LM	21W	119lm/W	4000K	>80	50.000 Hrs
<b>Austin 48</b>								
Δ see colors								
4034.183.91.Δ	LED Plate	Philips	4200lm	34W	134lm/W	3000K	>80	50.000 Hrs
4034.184.91.Δ	LED Plate	Philips	4200lm	34W	134lm/W	4000K	>80	50.000 Hrs
<b>Austin 58</b>								
Δ see colors								
4033.185.91.Δ	LED Plate	Philips	5000lm	40W	129lm/W	3000K	>80	50.000 Hrs
4033.186.91.Δ	LED Plate	Philips	5000lm	40W	129lm/W	4000K	>80	50.000 Hrs