



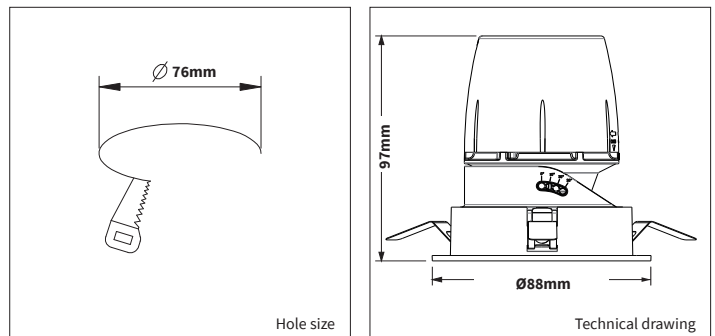
PRODUCT MATERIAL	Die-cast aluminium
LIGHT SOURCE	Cree XHP-5 or DtW COB
MODULE LIFETIME	Approx. 33.000 hours
DRIVER	Fixture excluding driver, select option
COLORS (Δ)	○ 3 = RAL 9003 white ● 5 = RAL 9005 black
BEAM ANGLE	24°
ADJUSTABLE	Adjustable
SIZE	88 X 97mm



OPTIONS

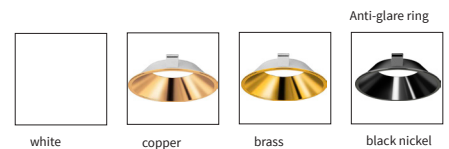
OPTIONAL BEAM ANGLE	(Only for DtW version) art. no.: 4301.000.36.0
	(Only for 2700K version) art. no.: 4301.000.06.0
ANTI-GLARE RING BEVELED	White art. no.: 4301.005.00.3 Copper art. no.: 4301.006.00.0 Brass art. no.: 4301.007.00.0 Black nickel art. no.: 4301.008.00.0
OPTION DRIVERS 350mA	Fixed output 350mA 10-16W art. no.: 0116.350.10.0
	Phase-cut dimmable 350mA 14W art. no.: 0114.350.20.0
	1/10V dimmable 350mA 15W art. no.: 0115.350.30.0
	DALI dimmable 350mA 1-15W art. no.: 0115.350.40.0
OPTION DRIVERS 500mA	Fixed output 500mA 10W art. no.: 0110.500.10.0
	Phase-cut dimmable 500mA 3.5-6.5W art. no.: 0106.500.20.0
	1/10V dimmable 500mA 20W art. no.: 0120.500.30.0
	DALI dimmable 500mA 16-20W art. no.: 0120.500.40.0

BENTLI ADJUST



Hole size

Technical drawing



Anti-glare ring

INFORMATION

WARRANTY	2 Years
-----------------	---------

This luminaire is equipped with an innovative lens technology instead of a reflector
High quality LED lens technology + 10% more light output

Including standard chrome anti-glare ring

Keylight International reserves the right to modify or change technical, construction or LED specifications due to continuous improvements of our products and lightsources. Full warranty only applies when fixture is purchased in combination with recommended driver.

ART.NR.	LAMP TYPE	BRAND	LUMINOUS FLUX	OUTPUT POWER	MODULE EFFICIENCY	COLOUR TEMPERATURE	CRI	TC LIFETIME	mA
DtW									
4301.125.24.Δ	DtW COB	VS	740lm	13W	57lm/W	2000-2900K	>90	33.000 Hrs	350mA
2700K									
4302.125.24. Δ	XHP-5	Cree	460lm	6W	77lm/W	2700K	>90	33.000 Hrs	500mA