



**BENTLI TRIMLESS ADJUST**



<b>PRODUCT MATERIAL</b>	Die-cast aluminium
<b>LIGHT SOURCE</b>	Cree XHP-5 or DtW COB
<b>MODULE LIFETIME</b>	Approx. 33.000 hours
<b>DRIVER</b>	Fixture excluding driver, select option
<b>COLORS</b>	<input type="radio"/> 3 = RAL 9003 white
<b>BEAM ANGLE</b>	24°
<b>ADJUSTABLE</b>	Adjustable
<b>SIZE</b>	88 X 97mm

**OPTIONS**

<b>OPTIONAL BEAM ANGLE</b>	(Only for DtW version) art. no.: 4301.000.36.0	€ 5,00
	(Only for 2700K version) art. no.: 4301.000.06.0	€ 5,00
<b>ANTI-GLARE RING BEVELED</b>	Copper art. no.: 4301.006.00.0	€ 9,50
	Brass art. no.: 4301.007.00.0	€ 9,50
	Black nickel art. no.: 4301.008.00.0	€ 9,50
<b>DRIVER 350mA DtW</b>	Standard including phase-cut dimmable driver	
<b>OPTION DRIVERS 500mA</b>	Fixed output 500mA 10W art. no.: 0110.500.10.0	€
	Phase-cut dimmable 500mA 3.5-6.5W art. no.: 0106.500.20.0	€
	1/10V dimmable 500mA 20W art. no.: 0120.500.30.0	€
	DALI dimmable 500mA 16-20W art. no.: 0120.500.40.0	€



BENTLI TRIMLESS ADJUST

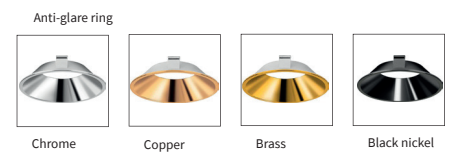
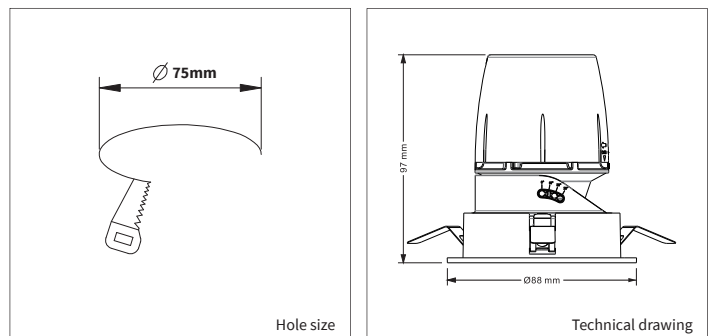
**INFORMATION**

<b>WARRANTY</b>	2 Years
-----------------	---------

This luminaire is equipped with an innovative lens technology instead of a reflector  
**High quality LED lens technology + 10% more light output**

Including standard chrome anti-glare ring

Keylight International reserves the right to modify or change technical, construction or LED specifications due to continuous improvements of our products and lightsources. Full warranty only applies when fixture is purchased in combination with recommended driver.



ART.NR.	LAMP TYPE	BRAND	LUMINOUS FLUX	OUTPUT POWER	MODULE EFFICIENCY	COLOUR TEMPERATURE	CRI	TC LIFETIME	mA
4301.225.24.3	DtW COB	VS	740lm	13W	57lm/W	2000-2900K	>90	33.000 Hrs	350mA
ART.NR.	LAMP TYPE	BRAND	LUMINOUS FLUX	OUTPUT POWER	MODULE EFFICIENCY	COLOUR TEMPERATURE	CRI	TC LIFETIME	mA
4302.225.24.3	XHP-5	Cree	460lm	6W	77lm/W	2700K	>90	33.000 Hrs	500mA