



**BENTLI TRIMLESS FIXED**



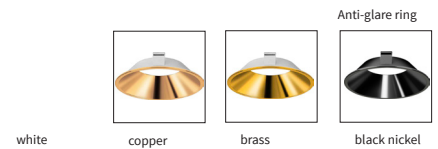
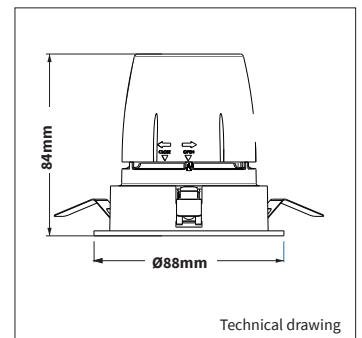
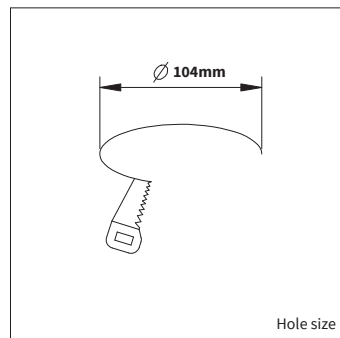
|                         |   |
|-------------------------|---|
| <b>PRODUCT MATERIAL</b> | Die-cast aluminium                      |
| <b>LIGHT SOURCE</b>     | Cree XHP-5 or DtW COB                   |
| <b>MODULE LIFETIME</b>  | Approx. 33.000 hours                    |
| <b>DRIVER</b>           | Fixture excluding driver, select option |
| <b>COLORS</b>           | ○ 3 = RAL 9003 white                    |
| <b>BEAM ANGLE</b>       | 24°                                     |
| <b>ADJUSTABLE</b>       | Fixed                                   |
| <b>SIZE</b>             | 88 X 84mm                               |



**OPTIONS**

|                                |   |
|--------------------------------|---|
| <b>OPTIONAL BEAM ANGLE</b>     | (Only for DtW version)<br>art. no.: 4301.000.36.0               |
|                                | (Only for 2700K version)<br>art. no.: 4301.000.06.0             |
| <b>ANTI-GLARE RING BEVELED</b> | White<br>art. no.: 4301.001.00.3                                |
|                                | Copper<br>art. no.: 4301.002.00.0                               |
|                                | Brass<br>art. no.: 4301.003.00.0                                |
|                                | Black nickel<br>art. no.: 4301.004.00.0                         |
| <b>OPTION DRIVERS 350mA</b>    | Fixed output<br>350mA 10-16W<br>art. no.: 0116.350.10.0         |
|                                | Phase-cut dimmable<br>350mA 14W<br>art. no.: 0114.350.20.0      |
|                                | 1/10V dimmable<br>350mA 15W<br>art. no.: 0115.350.30.0          |
|                                | DALI dimmable<br>350mA 1-15W<br>art. no.: 0115.350.40.0         |
| <b>OPTION DRIVERS 500mA</b>    | Fixed output<br>500mA 10W<br>art. no.: 0110.500.10.0            |
|                                | Phase-cut dimmable<br>500mA 3.5-6.5W<br>art. no.: 0106.500.20.0 |
|                                | 1/10V dimmable<br>500mA 20W<br>art. no.: 0120.500.30.0          |
|                                | DALI dimmable<br>500mA 16-20W<br>art. no.: 0120.500.40.0        |

BENTLI TRIMLESS FIXED



**INFORMATION**

|                 |         |
|-----------------|---------|
| <b>WARRANTY</b> | 2 Years |
|-----------------|---------|

This luminaire is equipped with an innovative lens technology instead of a reflector **High quality LED lens technology + 10% more light output**

Including standard chrome anti-glare ring

Keylight International reserves the right to modify or change technical, construction or LED specifications due to continuous improvements of our products and light sources. Full warranty only applies when fixture is purchased in combination with recommended driver.

| ART.NR.        | LAMP TYPE | BRAND | LUMINOUS FLUX | OUTPUT POWER | MODULE EFFICIENCY | COLOUR TEMPERATURE | CRI | TC LIFETIME | mA    |
|----------------|-----------|-------|---------------|--------------|-------------------|--------------------|-----|-------------|-------|
| <b>DtW</b>     |           |       |               |              |                   |                    |     |             |       |
| 4301.211.24.Δ  | DtW COB   | VS    | 740lm         | 13W          | 57lm/W            | 2000-2900K         | >90 | 33.000 Hrs  | 350mA |
| <b>2700K</b>   |           |       |               |              |                   |                    |     |             |       |
| 4302.211.24. Δ | XHP-5     | Cree  | 460lm         | 6W           | 56lm/W            | 2700K              | >90 | 33.000 Hrs  | 500mA |