



CUBE IP

PRODUCT MATERIAL	Die-cast aluminium
LIGHT SOURCE	Bridgelux V8
MODULE LIFETIME	Approx. 35.000 hours
DRIVER	Fixture excluding driver, select option
COLORS (Δ)	<input type="radio"/> 3 = RAL 9003 white <input checked="" type="radio"/> 5 = RAL 9005 black
BEAM ANGLE	
ADJUSTABLE	No
SIZE	85 X 85 X 100mm



OPTIONS

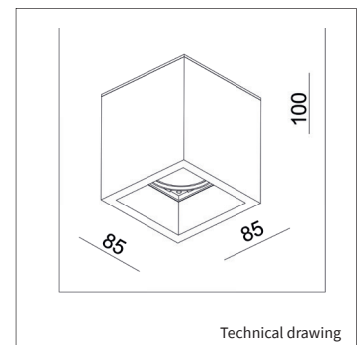
OPTION DRIVERS	Fixed output On request
	Phase-cut dimmable 500mA 10W art. no.: 0110.500.20.4
	1/10V dimmable 500mA 10W art. no.: 0110.500.30.0
	DALI dimmable 500mA 18W art. no.: 0118.500.75.0

CUBE IP

INFORMATION

Also available IP43 surface square

Keylight International reserves the right to modify or change technical, construction or LED specifications due to continuous improvements of our products and lightsources. The light source in this product can be replaced with an equivalent module made by Philips, Osram or Tridonic. Full warranty only applies when fixture is purchased in combination with recommended driver.



Technical drawing



Anti-glare ring round black

Anti-glare ring round white

Anti-glare ring round gold

ART.NR.	COLOR	LAMP TYPE	BRAND	LUMINOUS FLUX	OUTPUT POWER	MODULE EFFICIENCY	COLOUR TEMPERATURE	CRI	TC LIFETIME	mA
5105.995.33.33	white/white	V8	Bridgelux	745lm	9,2W	80lm/W	2700K	>90	35.000 Hrs	500mA
5105.995.33.35	white/black	V8	Bridgelux	745lm	9,2W	80lm/W	2700K	>90	35.000 Hrs	500mA
5105.995.33.39	white/gold	V8	Bridgelux	745lm	9,2W	80lm/W	2700K	>90	35.000 Hrs	500mA
5105.995.33.53	black/white	V8	Bridgelux	745lm	9,2W	80lm/W	2700K	>90	35.000 Hrs	500mA
5105.995.33.55	black/black	V8	Bridgelux	745lm	9,2W	80lm/W	2700K	>90	35.000 Hrs	500mA
5105.995.33.59	black/gold	V8	Bridgelux	745lm	9,2W	80lm/W	2700K	>90	35.000 Hrs	500mA