

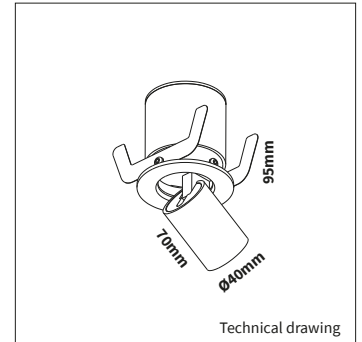
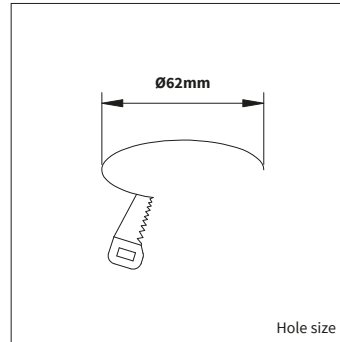


PRODUCT MATERIAL	Die-cast Aluminium
LIGHT SOURCE	Bridgelux V8 Array
MODULE LIFETIME	Approx. 35.000 hours
DRIVER	Excluding driver, SELECT OPTION
COLORS (Δ)	○ 3 = RAL 9003 white ● 5 = RAL 9005 black
BEAM ANGLE	23°
ADJUSTABLE	Yes - 0-60° - 360°
SIZE	Ø40 X 70mm



OPTIONS

OPTIONAL BEAM ANGLE	26° Art. no.: 4912.010.26.0
	36° Art. no.: 4912.010.36.0
ANTI-GLARE RING	Black anti-glare ring Included
	White anti-glare ring Art. no.: 4912.922.99.3
	Gold anti-glare ring Art. no.: 4912.922.99.9
GLASS	Prismatic Art. no.: 4912.933.94.0
	Frosted Art. no.: 4912.933.90.0
	Striped Art. no.: 4912.933.96.0
HONEYCOMB	Art. no.: 4912.933.91.0
DRIVER OPTIONS	On/off 350mA 6-10W Art. no.: 0110.350.10.3
	Phase cut 350mA 5-10W Art. no.: 0110.350.30.1
	1/10V 350mA 5-10W Art. no.: 0110.350.30.1
	DALI 350mA 3-18W Art. no.: 0118.350.40.0 Max. 2 fixtures connected in serie per driver
POWER CABLE OPTIONS Connected to driver/fixture	Europlug 2000mm 2 X 0,75 Art. no.: 0502.075.20.0
	Wieland GST 18/3 male 2000mm 3 X 0,75 Art. no.: 0501.183.20.0
	Wieland T connector GST 18/3 200mm 3 X 0,75 Art. no.: 0500.183.20.0



ANTI-GLARE RING



GLASS



HONEYCOMB



INFORMATION

Always select a driver option and add the selected driver to your order.
Full warranty only applies when fixture is purchased in combination with recommended driver.

Keylight International reserves the right to modify or change technical, construction or LED specifications due to continuous improvements of our products and lightsources.

ARTICLE NUMBER	LAMP TYPE	BRAND	LUMINOUS FLUX	OUTPUT POWER	MODULE EFFICIENCY	COLOR TEMPERATURE	CRI	TC LIFETIME	mA
4926.179.23.Δ	V8 Array	Bridgelux	550lm	6,2W	88lm/W	2700K	>90	35.000 Hrs	350mA