


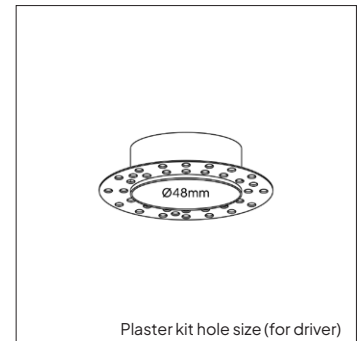
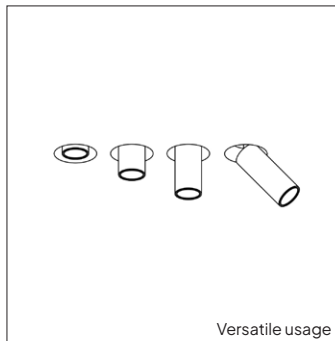
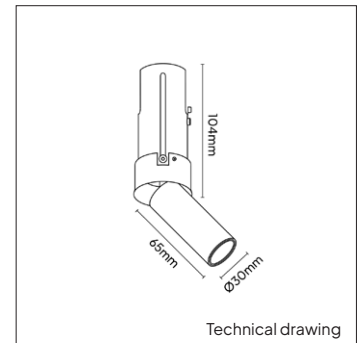
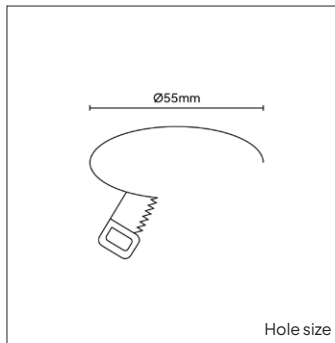


PRODUCT MATERIAL	Aluminium
LIGHT SOURCE	Bridgelux Chip
MODULE LIFETIME	Approx. 50.000 hours
DRIVER	Excluding driver, SELECT OPTION
COLORS (Δ)	<ul style="list-style-type: none"> ○ 3 = RAL 9003 white ● 5 = RAL 9005 black ● 7 = Dark brass ● 1 = Dark bronze
BEAM ANGLE	Optional beam angle, SELECT OPTION
ADJUSTABLE	Yes - 0-55° - 350°
SIZE	Ø30 X 65mm





OPTIONS

OPTIONAL BEAM ANGLE	 15°	Art. no.: 4927.000.15.0
	 24°	Art. no.: 4927.000.24.0
	 36°	Art. no.: 4927.000.36.0
ANTI-GLARE RING	Black	Included
	Gold	Art. no.: 4927.030.00.9
	Dark brass	Art. no.: 4927.030.00.7
	Dark bronze	Art. no.: 4927.030.00.1
HONEYCOMB	Art. no.: 4927.040.00.0	
GLASS	Frosted	Art. no.: 4927.933.96.0
	Prismatic	Art. no.: 4927.933.90.0
DRIVER OPTIONS	On/off	180mA 1-7W Art. no.: 0107.180.10.1
	Phase cut	180mA 7W Art. no.: 4927.180.00.0
	DALI2	180mA 2-7W Art. no.: 0103.180.40.1
POWER CABLE OPTIONS Connected to driver/fixture	Europlug 2000mm 2 X 0,75 Art. no.: 0502.075.20.0	
	Wieland GST18/3 male 2000mm 3 X 0,75 Art. no.: 0501.183.20.0	
	Wieland T connector GST18/3 200mm 3 X 0,75 Art. no.: 0500.183.20.0	



INFORMATION

Always select a driver option and add the selected driver to your order.

-  Pay attention at the inner size (Ø48mm) of the plaster kit, as the chosen driver needs to fit through this hole.
-  Full warranty only applies when fixture is purchased in combination with recommended driver.

ANTI-GLARE RING



GLASS



HONEYCOMB



ARTICLE NUMBER	LAMP TYPE	BRAND	LUMINOUS FLUX	OUTPUT POWER	MODULE EFFICIENCY	CCOLOR TEMPERATURE	CRI	TC LIFETIME	mA
4928.272.00.Δ	Chip	Bridgelux	387lm	7W	55lm/W	2700K	>90	50.000 Hrs	180mA

Δ See colors