

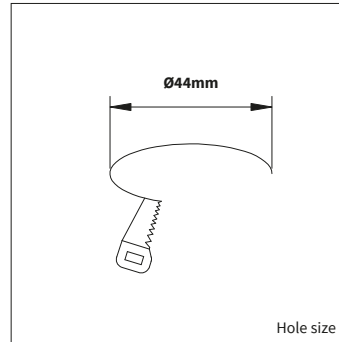


PRODUCT MATERIAL	Die-cast Aluminium
LIGHT SOURCE	Osram Oslon
MODULE LIFETIME	Approx. 30.000 hours
DRIVER	Excluding driver, SELECT OPTION
COLORS (Δ)	○ 3 = RAL 9003 white ● 5 = RAL 9005 black
BEAM ANGLE	▲ 24°
ADJUSTABLE	Yes - 0-60° - 360°
SIZE	Ø26 X 40mm

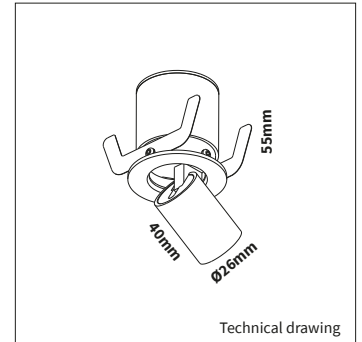


OPTIONS

OPTIONAL BEAM ANGLE	▲ 36° Art. no.: 4925.010.36.0
ANTI-GLARE RING	Black anti-glare ring Included Gold anti-glare ring Art. no.: 4925.030.00.9
DRIVER OPTIONS	On/off 700mA 3W Art. no.: 0103.700.10.0 Phase cut 700mA 6-10W Art. no.: 0110.700.20.2 3 - 4 fixtures connected in serie per driver 1/10V 700mA 1-20W Art. no.: 0120.700.30.1 Max. 9 fixtures connected in serie per driver DALI 700mA 1-20W Art. no.: 0120.700.40.0 Max. 9 fixtures connected in serie per driver
POWER CABLE OPTIONS Connected to driver/fixture	Europlug 2000mm 2 X 0,75 Art. no.: 0502.075.20.0 Wieland GST 18/3 male 2000mm 3 X 0,75 Art. no.: 0501.183.20.0 Wieland T connector GST 18/3 200mm 3 X 0,75 Art. no.: 0500.183.20.0



Hole size



Technical drawing

⚠ Due to the small hole size, the drivers can only be placed externally

ANTI-GLARE RING



Black

Gold

INFORMATION

Always select a driver option and add the selected driver to your order. Full warranty only applies when fixture is purchased in combination with recommended driver.

Keylight International reserves the right to modify or change technical, construction or LED specifications due to continuous improvements of our products and lightsources.

ARTICLE NUMBER	LAMP TYPE	BRAND	LUMINOUS FLUX	OUTPUT POWER	MODULE EFFICIENCY	COLOR TEMPERATURE	CRI	TC LIFETIME	mA
4925.700.21.Δ	Oslon	Osram	174lm	2,1W	83lm/W	2700K	>90	30.000 Hrs	700mA

Δ See colors