

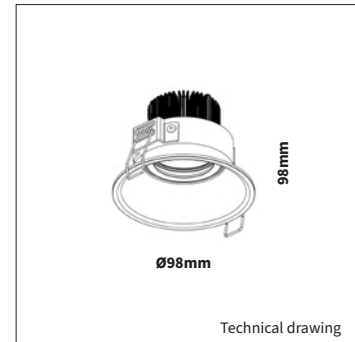
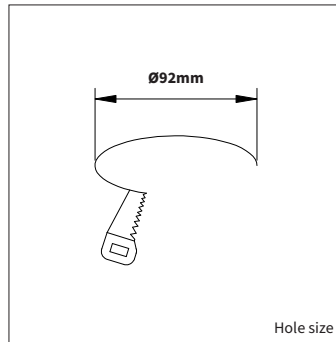


PRODUCT MATERIAL	Die-cast Aluminium
LIGHT SOURCE	LMR50
MODULE LIFETIME	Approx. 30.000 hours
DRIVER	Excluding driver, SELECT OPTION
COLORS (Δ)	<input type="radio"/> 3 = RAL 9003 white <input checked="" type="radio"/> 5 = RAL 9005 black <input type="radio"/> 6 = RAL 9006 alu
BEAM ANGLE	20° 30°
ADJUSTABLE	Yes
SIZE	Ø98 X 98mm



OPTIONS LMR50

GLASS COVER CLEAR	Glass IP44 Art. no.: 0053.999.99.0
DRIVER OPTIONS	On/off 350mA 6-10W Art. no.: 0110.350.10.3
	Phase cut 350mA 5-10W Art. no.: 0110.350.30.1
	1/10V 350mA 5-10W Art. no.: 0110.350.30.1
	DALI 350mA 3-18W Art. no.: 0118.350.40.0 Max. 2 fixtures connected in serie per driver
POWER CABLE OPTIONS Connected to driver/fixture	Europlug 2000mm 2 X 0,75 Art. no.: 0502.075.20.0
	Wieland GST 18/3 male 2000mm 3 X 0,75 Art. no.: 0501.183.20.0
	Wieland T connector GST 18/3 200mm 3 X 0,75 Art. no.: 0500.183.20.0



INFORMATION

Always select a driver option and add the selected driver to your order.
 Full warranty only applies when fixture is purchased in combination with recommended driver.

Keylight International reserves the right to modify or change technical, construction or LED specifications due to continuous improvements of our products and light sources.

ARTICLE NUMBER	LAMP TYPE	BRAND	LUMINOUS FLUX	OUTPUT POWER	MODULE EFFICIENCY	COLOR TEMPERATURE	CRI	TC LIFETIME	BEAM ANGLE	mA
Δ See colors										
4010.171.20.Δ	LMR50	Bridgelux V6	575lm	6,8W	85lm/W	2700K	>90	30.000 Hrs	20°	350mA
4010.172.30.Δ	LMR50	Bridgelux V6	575lm	6,8W	85lm/W	2700K	>90	30.000 Hrs	30°	350mA
4010.173.20.Δ	LMR50	Bridgelux V6	600lm	6,8W	88lm/W	3000K	>90	30.000 Hrs	20°	350mA
4010.174.30.Δ	LMR50	Bridgelux V6	600lm	6,8W	88lm/W	3000K	>90	30.000 Hrs	30°	350mA
4010.275.20.Δ	LMR50	Bridgelux DtW	535lm	7W	77lm/W	1800-3000K	95	30.000 Hrs	20°	350mA
4010.276.30.Δ	LMR50	Bridgelux DtW	535lm	7W	77lm/W	1800-3000K	95	30.000 Hrs	30°	350mA