
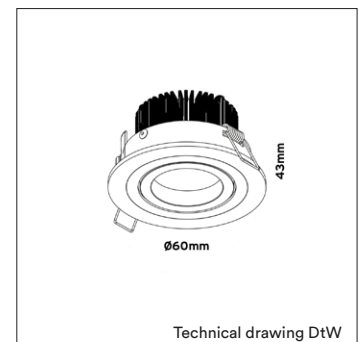
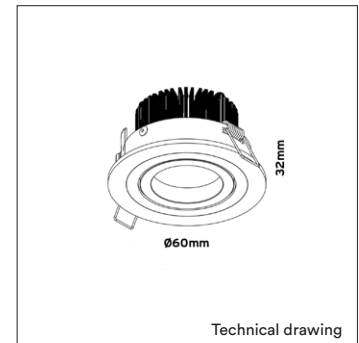
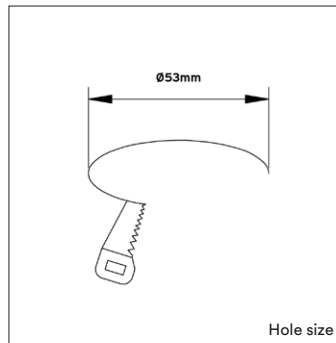


| | |
|-------------------------|--|
| PRODUCT MATERIAL | Aluminium |
| LIGHT SOURCE | Cree XP-E |
| MODULE LIFETIME | Approx. 30.000 hours |
| DRIVER | Excluding driver, SELECT OPTION |
| COLORS | <input type="radio"/> 3 = RAL 9003 white <input type="radio"/> 5 = RAL 9005 black |
| BEAM ANGLE |  30° |
| ADJUSTABLE | Yes |
| SIZE | Ø60 X 32mm |





OPTIONS

| | | |
|---|------------------|---|
| DRIVER OPTIONS 2700K | On/off | 700mA 3W Art. no.: 0103.700.10.0 |
| | Phase cut | 700mA 5-10W Art. no.: 0110.700.20.1 2 - 3 fixtures connected in serie per driver |
| | 1/10V | 700mA 1-20W Art. no.: 0120.700.30.1 Max. 6 fixtures connected in serie per driver |
| | DALI | 700mA 5-18W Art. no.: 0118.700.40.0 2 - 6 fixtures connected in serie per driver |
| DRIVER OPTIONS DTW | Phase cut | 250mA 3-7W Art. no.: 0107.250.20.1 |
| | DALI | 250mA 4-10W Art. no.: 0110.250.40.2 |
| POWER CABLE OPTIONS Connected to driver/fixture | | Europlug 2000mm 2 X 0,75 Art. no.: 0502.075.20.0 |
| | | Wieland GST 18/3 male 2000mm 3 X 0,75 Art. no.: 0501.183.20.0 |
| | | Wieland T connector GST 18/3 200mm 3 X 0,75 Art. no.: 0500.183.20.0 |



INFORMATION

- Always select a driver option and add the selected driver to your order.
-  Full warranty only applies when fixture is purchased in combination with recommended driver.
 -  Due to the small hole size, the drivers can only be placed externally.

| ARTICLE NUMBER | LAMP TYPE | BRAND | LUMINOUS FLUX | OUTPUT POWER | MODULE EFFICIENCY | COLOR TEMPERATURE | CRI | TC LIFETIME | mA |
|----------------|-----------|-----------|---------------|--------------|-------------------|-----------------------|-----|-------------|-------|
| 4096.130.27.Δ | XP-E | Cree | 145lm | 3W | 48lm/W | 2700K | >90 | 30.000Hrs | 700mA |
| 4096.130.30.Δ | XP-E | Cree | 145lm | 3W | 48lm/W | 3000K | >90 | 30.000Hrs | 700mA |
| 4096.125.36.Δ | DtW | Bridgelux | 280lm | 4W | 70lm/W | 2000-3000K DTW | >90 | 50.000Hrs | 250mA |

Keylight International reserves the right to modify or change technical, construction or LED specifications due to continuous improvements of our products and light sources.