



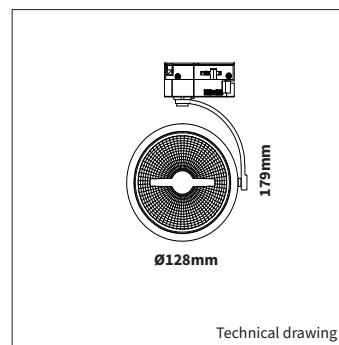
| | |
|-------------------------|---|
| PRODUCT MATERIAL | Aluminium |
| ADAPTER | 3-phase track adapter |
| LIGHT SOURCE | QR111 LED |
| MODULE LIFETIME | Approx. 30.000 hours |
| DRIVER | Including phase cut dimmable driver |
| COLORS (Δ) | <input type="radio"/> 3 = RAL 9003 white <input checked="" type="radio"/> 5 = RAL 9005 black |
| BEAM ANGLE | 24° |
| ADJUSTABLE | 350° |
| SIZE | Ø128 X 179mm |



INFORMATION

Also available in surface mounted 1 light or 2 light

Keylight International reserves the right to modify or change technical, construction or LED specifications due to continuous improvements of our products and light sources



| ARTICLE NUMBER | LAMP TYPE | BRAND | LUMINOUS FLUX | OUTPUT POWER | MODULE EFFICIENCY | COLOR TEMPERATURE | CRI | TC LIFETIME | mA |
|----------------|-----------|-------|---------------|--------------|-------------------|-------------------|-----|-------------|-------|
| 3058.720.24.Δ | QR111 | Pro | 750lm | 15W | 48lm/W | 2000 - 2800K | >90 | 30.000 Hrs | 350mA |

Δ See colors