



PRODUCT MATERIAL	Aluminium
LIGHT SOURCE	QR111 LED
MODULE LIFETIME	Approx. 30.000 hours
DRIVER	Including phase cut dimmable driver
COLORS (Δ)	○ 3 = RAL 9003 white ● 5 = RAL 9005 black
BEAM ANGLE	24°
ADJUSTABLE	350°
SIZE	137 X 82 X 188mm



OPTIONS

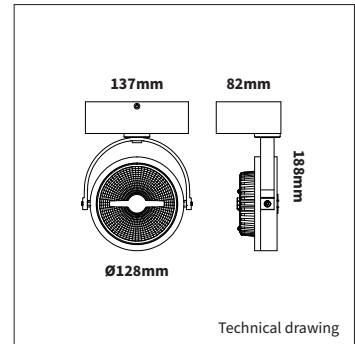
DRIVER OPTIONS	1/10V	350mA 0-15W Art. no.: 0115.350.30.0
	DALI	350mA 3-18W Art. no.: 0118.350.40.0

INFORMATION

Also available in 3F tracklight and surface mounted 2 light

Full warranty only applies when fixture is purchased in combination with recommended driver.

Keylight International reserves the right to modify or change technical, construction or LED specifications due to continuous improvements of our products and light sources.



ARTICLE NUMBER	LAMP TYPE	BRAND	LUMINOUS FLUX	OUTPUT POWER	MODULE EFFICIENCY	COLOR TEMPERATURE	CRI	mA	TC LIFETIME
5158.720.24.Δ	QR111	Bridgelux	750lm	15W	50lm/W	2200 - 2800K	DTW >90	350mA	30.000 Hrs

Δ See colors