


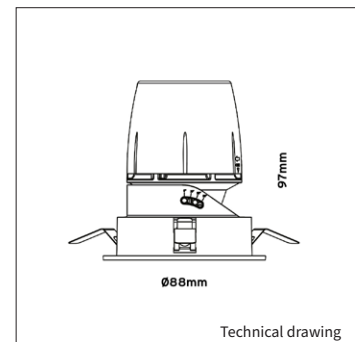
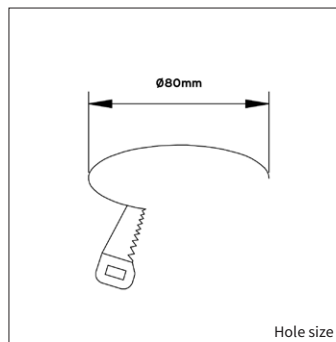


<b>PRODUCT MATERIAL</b>	Die-cast aluminium
<b>LIGHT SOURCE</b>	Cree XHP-5
<b>MODULE LIFETIME</b>	Approx. 50.000 hours
<b>DRIVER</b>	Excluding driver, <b>SELECT OPTION</b>
<b>COLORS (Δ)</b>	<input type="radio"/> <b>3</b> = RAL 9003 white <input checked="" type="radio"/> <b>5</b> = RAL 9005 black
<b>BEAM ANGLE</b>	 <b>6°</b>
<b>ADJUSTABLE</b>	Adjustable
<b>SIZE</b>	Ø88 X 97mm




## OPTIONS

<b>OPTIONAL BEAM ANGLE</b>	 <b>20°</b> Art. no.: 4301.011.20.0
	 <b>36°</b> Art. no.: 4301.101.36.0
<b>ANTI-GLARE RING</b>	Chrome <span style="float: right;">Included</span>
	Copper Art. no.: 4301.066.00.0
	Brass Art. no.: 4301.077.00.0
	Black nickel Art. no.: 4301.088.00.0
<b>DRIVER OPTIONS</b>	<b>On/off</b> 500mA 6-10W Art. no.: 0110.500.10.0
	<b>Phase cut</b> 500mA 6-10W Art. no.: 0110.500.20.7
	<b>DALI</b> 500mA 4-18W Art. no.: 0118.500.40.0 Max. 3 fixtures connected in serie per driver
<b>POWER CABLE OPTIONS</b> Connected to driver/fixture	Europlug 2000mm 2 X 0,75 Art. no.: 0502.075.20.0
	Wieland GST 18/3 male 2000mm 3 X 0,75 Art. no.: 0501.183.20.0
	Wieland T connector GST 18/3 200mm 3 X 0,75 Art. no.: 0500.183.20.0



## INFORMATION

Always select a driver option and add the selected driver to your order.

 Full warranty only applies when fixture is purchased in combination with recommended driver.

### ANTI-GLARE RING



Chrome



Black Nickel



Copper



Brass

ARTICLE NUMBER Δ See colors	LAMP TYPE	BRAND	LUMINOUS FLUX	OUTPUT POWER	MODULE EFFICIENCY	COLOR TEMPERATURE	CRI	TC LIFETIME	mA
4302.135.06. Δ	XHP-5	Cree	460lm	6W	77lm/W	2700K	>90	50.000 Hrs	500mA
<b>TRIMLESS</b>									
4302.225.24. 3	XHP-5	Cree	460lm	6W	56lm/W	2700K	>90	50.000 Hrs	500mA

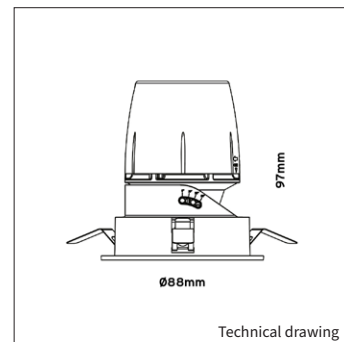
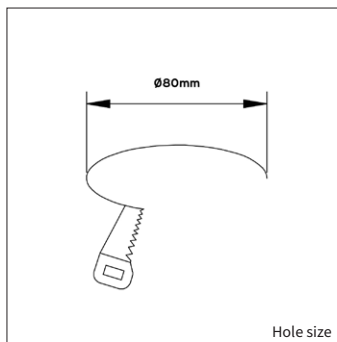


<b>PRODUCT MATERIAL</b>	Die-cast aluminium
<b>LIGHT SOURCE</b>	DtW COB
<b>MODULE LIFETIME</b>	Approx. 50.000 hours
<b>DRIVER</b>	Excluding driver, <b>SELECT OPTION</b>
<b>COLORS (Δ)</b>	<input type="radio"/> <b>3</b> = RAL 9003 white <input checked="" type="radio"/> <b>5</b> = RAL 9005 black
<b>BEAM ANGLE</b>	24°
<b>ADJUSTABLE</b>	Adjustable
<b>SIZE</b>	Ø88 X 97mm

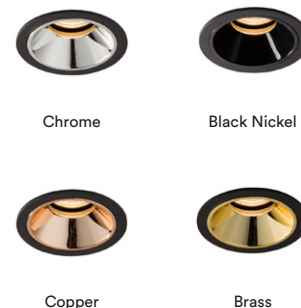


## OPTIONS

<b>OPTIONAL BEAM ANGLE</b>	36° Art. no.: 4301.202.36.0
<b>ANTI-GLARE RING</b>	Chrome <span style="float: right;">Included</span>
	Copper Art. no.: 4301.066.00.0
	Brass Art. no.: 4301.077.00.0
	Black nickel Art. no.: 4301.088.00.0
<b>DRIVER OPTIONS</b>	<b>On/off</b> 350mA 11-16W Art. no.: 0116.350.10.3
	<b>Phase cut</b> 350mA 6-13W Art. no.: 0113.350.20.1
	<b>1/10V</b> 350mA 0-15W Art. no.: 0115.350.30.0
	<b>DALI</b> 350mA 11-19W Art. no.: 0136.350.40.0
<b>POWER CABLE OPTIONS</b> Connected to driver/fixture	Europlug 2000mm 2 X 0,75 Art. no.: 0502.075.20.0
	Wieland GST 18/3 male 2000mm 3 X 0,75 Art. no.: 0501.183.20.0
	Wieland T connector GST 18/3 200mm 3 X 0,75 Art. no.: 0500.183.20.0



## ANTI-GLARE RING



## INFORMATION

Always select a driver option and add the selected driver to your order.

Full warranty only applies when fixture is purchased in combination with recommended driver.

ARTICLE NUMBER Δ See colors	LAMP TYPE	BRAND	LUMINOUS FLUX	OUTPUT POWER	MODULE EFFICIENCY	COLOR TEMPERATURE	CRI	TC LIFETIME	mA
4301.125.24.Δ	DtW COB	VS	740lm	13W	57lm/W	2000-2900K (DTW) >90	>90	50.000 Hrs	350mA
<b>TRIMLESS</b>									
4301.225.24.3	DtW COB	VS	740lm	13W	57lm/W	2000-2900K (DTW) >90	>90	50.000 Hrs	350mA