
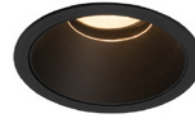



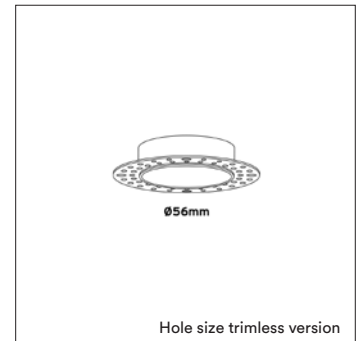
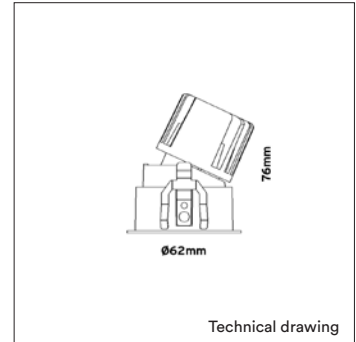
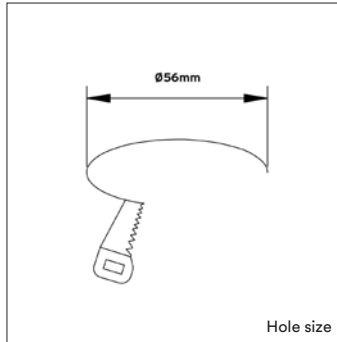


| | |
|-------------------------|---|
| PRODUCT MATERIAL | Die-cast aluminium |
| LIGHT SOURCE | Bridgelux |
| MODULE LIFETIME | Approx. 50.000 hours |
| DRIVER | Excluding driver, SELECT OPTION |
| COLORS (Δ) | ○ 3 = RAL 9003 white ● 5 = RAL 9005 black |
| BEAM ANGLE |  24° |
| ADJUSTABLE | Adjustable, rotate 350°, adjust 25° |
| SIZE | Ø62 X 76mm |




OPTIONS

| | |
|---|---|
| OPTIONAL BEAM ANGLE |  15° Art. no.: 4303.000.15.0 |
| |  36° Art. no.: 4303.000.36.0 |
| |  60° Art. no.: 4303.000.60.0 |
| ANTI-GLARE RING | Black chrome Art. no.: 4303.030.00.5 |
| | Matt black Art. no.: 4303.030.01.5 |
| | Matt white Art. no.: 4303.030.00.3 |
| GLASS | Striped Art. no.: 4303.040.01.0 |
| | Prismatic Art. no.: 4303.040.02.0 |
| HONEYCOMB | Art. no.: 4303.040.00.0 |
| DRIVER OPTIONS | On/off 200mA 5-8W Art. no.: 0108.200.10.3 Size: 70 x 43 x 22.5mm |
| | Phase cut 200mA 6-8W Art. no.: 0108.200.20.3 Size: 85 x 50 x 19mm |
| | 1/10V 200mA 1-10W Art. no.: 0110.200.30.1 Size: 108 x 52 x 22mm This driver can only be placed externally |
| | DALI 200mA 6-11W Art. no.: 0120.200.40.0 Size: 97.2 x 43 x 30mm |
| POWER CABLE OPTIONS Connected to driver/fixture | Europlug 2000mm 2 X 0,75 Art. no.: 0502.075.20.0 |
| | Wieland GST 18/3 male 2000mm 3 X 0,75 Art. no.: 0501.183.20.0 |
| | Wieland T connector GST 18/3 200mm 3 X 0,75 Art. no.: 0500.183.20.0 |



INFORMATION

Trimless version including recessed frame

 Full warranty only applies when fixture is purchased in combination with recommended driver.



Black chrome



Matte black



Matte white

ANTI-GLARE RING

| ARTICLE NUMBER | LAMP TYPE | BRAND | LUMINOUS FLUX | OUTPUT POWER | MODULE EFFICIENCY | COLOR TEMPERATURE | CRI | TC LIFETIME | mA |
|----------------|-------------|-----------|---------------|--------------|-------------------|-------------------|-----|-------------|-------|
| Δ See colors | | | | | | | | | |
| 4303.270.24.Δ | High Output | Bridgelux | 400lm | 8W | 50lm/W | 2700K | >90 | 50.000 Hrs | 200mA |
| 4303.300.24.Δ | High Output | Bridgelux | 430lm | 8W | 54lm/W | 3000K | >90 | 50.000 Hrs | 200mA |

TRIMLESS

| | | | | | | | | | |
|---------------|-------------|-----------|-------|----|--------|-------|-----|------------|-------|
| 4305.270.24.Δ | High Output | Bridgelux | 400lm | 8W | 50lm/W | 2700K | >90 | 50.000 Hrs | 200mA |
| 4305.300.24.Δ | High Output | Bridgelux | 430lm | 8W | 54lm/W | 3000K | >90 | 50.000 Hrs | 200mA |

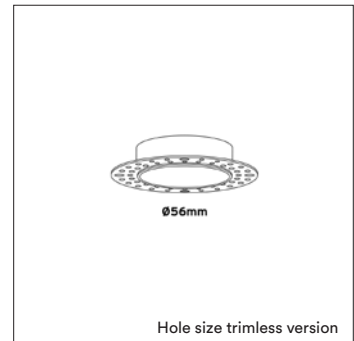
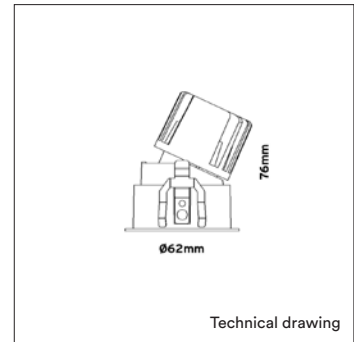
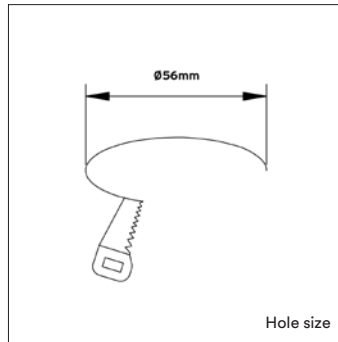


| | |
|-------------------------|--|
| PRODUCT MATERIAL | Die-cast aluminium |
| LIGHT SOURCE | Bridgelux |
| MODULE LIFETIME | Approx. 50.000 hours |
| DRIVER | Excluding driver, SELECT OPTION |
| COLORS (Δ) | ○ 3 = RAL 9003 white ● 5 = RAL 9005 black |
| BEAM ANGLE | ▲ 24° |
| ADJUSTABLE | Adjustable, rotate 350°, adjust 25° |
| SIZE | Ø62 X 76mm |



OPTIONS

| | |
|---|---|
| OPTIONAL BEAM ANGLE | ▲ 15° Art. no.: 4303.000.15.0 |
| | ▲ 36° Art. no.: 4303.000.36.0 |
| | ▲ 60° Art. no.: 4303.000.60.0 |
| ANTI-GLARE RING | Black chrome Art. no.: 4303.030.00.5 |
| | Matt black Art. no.: 4303.030.01.5 |
| | Matt white Art. no.: 4303.030.00.3 |
| GLASS | Striped Art. no.: 4303.040.01.0 |
| | Prismatic Art. no.: 4303.040.02.0 |
| HONEYCOMB | Art. no.: 4303.040.00.0 |
| DRIVER OPTIONS | On/off 350mA 5-9W Art. no.: 0110.350.20.5 Size: 85 x 40.4 x 22mm |
| | Phase cut 350mA 5-9W Art. no.: 0110.350.20.5 Size: 85 x 40.4 x 22mm |
| | 1/10V 350mA 1-19W Art. no.: 0119.350.30.0 Size: 108 x 52 x 22mm This driver can only be placed externally |
| | DALI 350mA 8-19W Art. no.: 0120.350.40.0 Size: 97.2 x 43 x 30mm |
| POWER CABLE OPTIONS Connected to driver/fixture | Europlug 2000mm 2 X 0,75 Art. no.: 0502.075.20.0 |
| | Wieland GST 18/3 male 2000mm 3 X 0,75 Art. no.: 0501.183.20.0 |
| | Wieland T connector GST 18/3 200mm 3 X 0,75 Art. no.: 0500.183.20.0 |



INFORMATION

Trimless version including recessed frame

⚠ Full warranty only applies when fixture is purchased in combination with recommended driver.



Black chrome



Matte black



Matte white

| ARTICLE NUMBER | LAMP TYPE | BRAND | LUMINOUS FLUX | OUTPUT POWER | MODULE EFFICIENCY | COLOR TEMPERATURE | CRI | TC LIFETIME | mA |
|-----------------|-------------|-----------|---------------|--------------|-------------------|-------------------|-----|-------------|-------|
| 4305.125.24.Δ | High Output | Bridgelux | 400lm | 8W | 50lm/W | 1800-2700K DTW | >90 | 50.000 Hrs | 350mA |
| TRIMLESS | | | | | | | | | |
| 4305.125.24.Δ | High Output | Bridgelux | 400lm | 8W | 50lm/W | 1800-2700K DTW | >90 | 50.000 Hrs | 350mA |