



BLOCK 10 UD

PRODUCT MATERIAL	Die-cast aluminium
LIGHT SOURCE	Bridgelux V8 Array
MODULE LIFETIME	Approx. 35.000 hours
DRIVER	Including phase cut dimmable driver
COLORS (Δ)	<input type="radio"/> 3 = RAL 9003 white <input checked="" type="radio"/> 5 = RAL 9005 black <input type="radio"/> 9 = RAL 7012 grey
SIZE	102 X 102 X 102mm



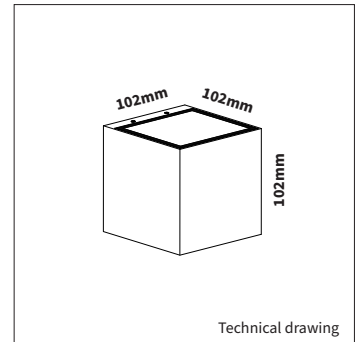
OPTIONS

DRIVER OPTIONS	1/10V	350mA 0-6W Art. no.: 0106.350.30.0
	DALI	350mA 4-6W Art. no.: 0106.350.40.0

INFORMATION

Up/dn including 2 X IP65 glass cover

Keylight International reserves the right to modify or change technical, construction or LED specifications due to continuous improvements of our products and light sources.



ARTICLE NUMBER	LAMP TYPE	BRAND	LUMINOUS FLUX	OUTPUT POWER	MODULE EFFICIENCY	COLOR TEMPERATURE	CRI	TC LIFETIME	mA
6017.990.99.Δ	V8 Array	Bridgelux	565lm	6,2W	91lm/W	2700K	>80	35.000 Hrs	350mA

Δ See colors