



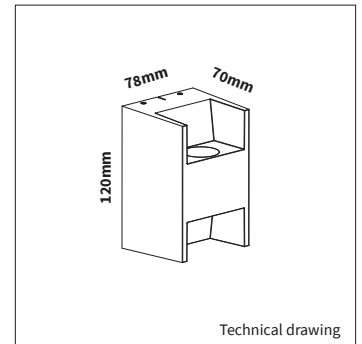
PRODUCT MATERIAL	Die-cast aluminium
LIGHT SOURCE	XP-E
MODULE LIFETIME	Approx. 50.000 hours
DRIVER	Including on/off driver
COLORS (Δ)	○ 3 = RAL 9003 white ● 5 = RAL 9005 black
BEAM ANGLE	30°
SIZE	120 X 78 X 70mm



INFORMATION

Also available as a dimmable version on request (external driver)

Keylight International reserves the right to modify or change technical, construction or LED specifications due to continuous improvements of our products and lightsources.



ARTICLE NUMBER	LAMP TYPE	BRAND	LUMINOUS FLUX	OUTPUT POWER	MODULE EFFICIENCY	COLOR TEMPERATURE	CRI	TC LIFETIME	mA
6013.270.30.Δ	XP-E	Cree	2 X 280lm	2 X 2,5W	112lm/W	2700K	>80	50.000 Hrs	700mA

Δ See colors