



BLOCK H

PRODUCT MATERIAL	Aluminium
LIGHT SOURCE	XM-L
MODULE LIFETIME	Approx. 30.000 hours
LED COOLING	Passive cooling
DRIVER	Incl. driver.
COLORS (Δ)	○ 3 = RAL 9003 white ● + ● 59 = 9005 black. Gold inside
SIZE	125 X 125 X 80MM



OPTIONS

DIMMABLE	Phase-cut 350 mA 10W (build-in) € 55,00 art. no.: 0117.350.10.0
-----------------	--

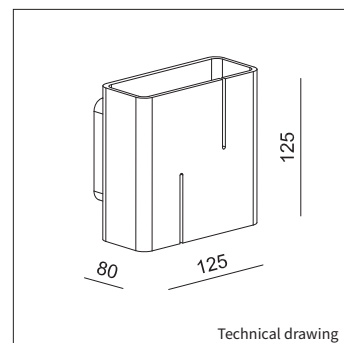
INFORMATION

WARRANTY	2 Years
-----------------	---------

Δ = product color code. See colors

Keylight International reserves the right to modify or change technical, construction or LED specifications due to continuous improvements of our products and lightsources.

BLOCK H



Technical drawing

ART.NR.	LAMP TYPE	BRAND	LUMINOUS FLUX	OUTPUT POWER	MODULE EFFICIENCY	COLOUR TEMPERATURE	CRI	TC LIFETIME	mA
6080.990.99Δ	XM-L	Cree	320LM	4W	80LM/W	2700K	>80	30.000	350

Δ see colors