

| | |
|-------------------------|--|
| PRODUCT MATERIAL | Steel and aluminium |
| LIGHT SOURCE | Philips DLM ES / DLM Flex |
| MODULE LIFETIME | Approx 50.000 hours |
| DRIVER DLM | Including on/off driver |
| COLORS (Δ) | <ul style="list-style-type: none"> ○ 3 = RAL 9003 white ● 5 = RAL 9005 black ● 6 = RAL 9006 alu |
| REFLECTOR | Acrylic |
| SIZE | 515 X 292mm |



OPTIONS

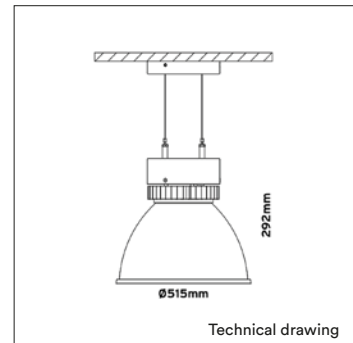
| | |
|-----------------|-----------------------------------|
| DIMMABLE | DALI dimmable |
| IP CLASS | IP20 in standard, IP44 on request |

INFORMATION

Including 1500mm steel wire suspension with wire length control

Also available Boost 40 (Ø415mm) or Boost 30 (Ø315mm) on request

! The light source in this product can be replaced with an equivalent module made by Philips, Osram or Tridonic.



| ARTICLE NUMBER | LAMP TYPE | LUMEN | OUTPUT POWER | MODULE EFFICIENCY | COLOR TEMPERATURE | CRI | INPUT VOLTAGE | TC | TC LIFETIME | MINIMUM ORDER QUANTITY |
|----------------|---------------|--------|--------------|-------------------|-------------------|-----|---------------|------|-------------|------------------------|
| Δ See colors | | | | | | | | | | |
| 7515.281.00.Δ | Osram Cube AC | 1100lm | 10W | 110lm/W | 3000K | >80 | 230V | 85°C | 50.000 Hrs | 10 |
| 7515.282.00.Δ | Osram Cube AC | 1100lm | 10W | 110lm/W | 4000K | >80 | 230V | 85°C | 50.000 Hrs | 10 |
| 7515.283.00.Δ | Osram Cube AC | 2000lm | 18W | 111lm/W | 3000K | >80 | 230V | 85°C | 50.000 Hrs | 10 |
| 7515.284.00.Δ | Osram Cube AC | 2000lm | 18W | 111lm/W | 4000K | >80 | 230V | 85°C | 50.000 Hrs | 10 |
| 7515.285.00.Δ | Osram Cube AC | 3000lm | 27W | 111lm/W | 3000K | >80 | 230V | 85°C | 50.000 Hrs | 10 |
| 7515.286.00.Δ | Osram Cube AC | 3000lm | 27W | 111lm/W | 4000K | >80 | 230V | 85°C | 50.000 Hrs | 10 |

| ARTICLE NUMBER | LAMP TYPE | LUMEN | OUTPUT POWER | MODULE EFFICIENCY | COLOR TEMPERATURE | CRI | INPUT VOLTAGE | TC | TC LIFETIME | MINIMUM ORDER QUANTITY |
|----------------|--------------------------|--------|--------------|-------------------|-------------------|-----|---------------|------|-------------|------------------------|
| Δ See colors | | | | | | | | | | |
| 7515.101.00.Δ | Philips Fortimo DLM flex | 1300lm | 12W | 108lm/W | 3000K | >80 | 34V | 85°C | 50.000 Hrs | 10 |
| 7515.102.00.Δ | Philips Fortimo DLM flex | 1300lm | 12W | 108lm/W | 4000K | >80 | 34V | 85°C | 50.000 Hrs | 10 |
| 7515.103.00.Δ | Philips Fortimo DLM flex | 2100lm | 19W | 110lm/W | 3000K | >80 | 34V | 85°C | 50.000 Hrs | 10 |
| 7515.104.00.Δ | Philips Fortimo DLM flex | 2100lm | 19W | 110lm/W | 4000K | >80 | 34V | 85°C | 50.000 Hrs | 10 |
| 7515.105.00.Δ | Philips Fortimo DLM flex | 3200lm | 29W | 110lm/W | 3000K | >80 | 34V | 85°C | 50.000 Hrs | 10 |
| 7515.106.00.Δ | Philips Fortimo DLM flex | 3200lm | 29W | 110lm/W | 4000K | >80 | 34V | 85°C | 50.000 Hrs | 10 |