



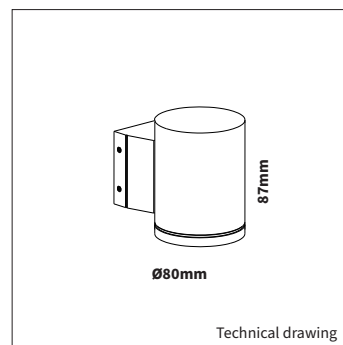
PRODUCT MATERIAL	Aluminium and PC
LIGHT SOURCE	LED GU10
MODULE LIFETIME	Approx. 30.000 / 50.000 hours
COLORS (Δ)	○ 3 = RAL 9003 white ● 5 = RAL 9005 black
BEAM ANGLE	▲ 25° ▲ 36°
BEAM ANGLE DTW	▲ 30°
SIZE	Ø80 X 112 X 87mm



INFORMATION

! Max. hole size for the wall mounting is 75 x 65mm (W X H)

Keylight International reserves the right to modify or change technical, construction or LED specifications due to continuous improvements of our products and light sources.



ARTICLE NUMBER	LAMP TYPE	BRAND	LUMINOUS FLUX	OUTPUT POWER	MODULE EFFICIENCY	COLOR TEMPERATURE	CRI	TC LIFETIME	BEAM ANGLE
8180.272.25.Δ	GU10	Philips	265lm	4W	66lm/W	2700K	>90	50.000 Hrs	25°
8180.279.36.Δ	GU10	Philips	265lm	4W	66lm/W	2700K	>90	50.000 Hrs	36°
8180.282.25.Δ	GU10	Philips	280lm	4W	70lm/W	3000K	>90	50.000 Hrs	25°
8180.290.36.Δ	GU10	Philips	280lm	4W	70lm/W	3000K	>90	50.000 Hrs	36°
8180.176.30.Δ	GU10	KL	305lm	5W	61lm/W	2000 - 3000K	DTW >90	30.000 Hrs	30°

Δ See colors