





PRODUCT MATERIAL	Steel and aluminium
LIGHT SOURCE	Philips SLM G7
MODULE LIFETIME	Approx. 30.000 hours
DRIVER	Including Xitanium on/off driver
COLORS (Δ)	<ul style="list-style-type: none"> ○ 3 = RAL 9003 white ● 5 = RAL 9005 black ● 6 = RAL 9006 alu
BEAM ANGLE	 56°
ADJUSTABLE	No
SIZE	Ø170 X 175mm



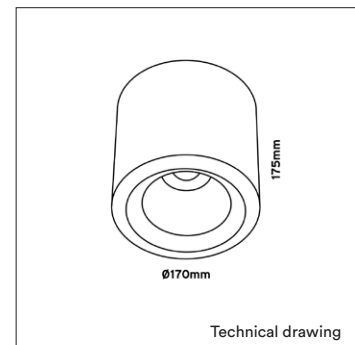
OPTIONS

COLORS	Available in all RAL colours on request Additional price + 10%
OPTIONAL BEAM ANGLE	<ul style="list-style-type: none">  12°  22°  36°
DIMMABLE	DALI dimmable

INFORMATION

Nominal lifetime L80/B10 @50.000 h / 25°C

 The light source in this product can be replaced with an equivalent module made by Philips, Osram or Tridonic.



ARTICLE NUMBER	LAMP TYPE	BRAND	LUMINOUS FLUX	OUTPUT POWER	MODULE EFFICIENCY	COLOR TEMPERATURE	CRI	TC LIFETIME
Δ See colors								
66.00200.83.E.56.CG.Δ	SLM G7	Phillips	1300lm	8W	163lm/W	3000K	>80	50.000 Hrs
66.00200.84.E.56.CG.Δ	SLM G7	Phillips	1300lm	8W	163lm/W	4000K	>80	50.000 Hrs
66.00201.83.E.56.CG.Δ	SLM G7	Phillips	2000lm	12W	167lm/W	3000K	>80	50.000 Hrs
66.00201.84.E.56.CG.Δ	SLM G7	Phillips	2000lm	12W	167lm/W	4000K	>80	50.000 Hrs
66.00202.83.E.56.CG.Δ	SLM G7	Phillips	3000lm	20W	138lm/W	3000K	>80	50.000 Hrs
66.00202.84.E.56.CG.Δ	SLM G7	Phillips	3000lm	20W	138lm/W	4000K	>80	50.000 Hrs
66.00203.83.E.56.CG.Δ	SLM G7	Phillips	4000lm	27W	138lm/W	3000K	>80	50.000 Hrs
66.00203.84.E.56.CG.Δ	SLM G7	Phillips	4000lm	27W	138lm/W	4000K	>80	50.000 Hrs