


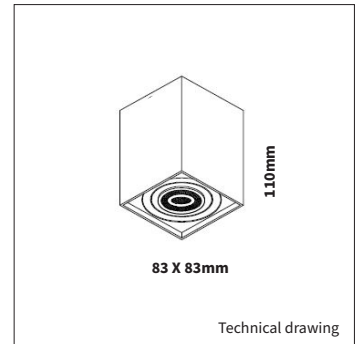


PRODUCT MATERIAL	Aluminium
LIGHT SOURCE	GU10
MODULE LIFETIME	Approx. 30.000 / 50.000 hours
COLORS (Δ)	○ 3 = RAL 9003 white ● 5 = RAL 9005 black
BEAM ANGLE	 25°  36°
BEAM ANGLE DTW	 30°
ADJUSTABLE	Yes
SIZE	83 X 83 X 110mm



INFORMATION

Keylight International reserves the right to modify or change technical, construction or LED specifications due to continuous improvements of our products and light sources.



ARTICLE NUMBER	LAMP TYPE	BRAND	LUMINOUS FLUX	OUTPUT POWER	MODULE EFFICIENCY	COLOR TEMPERATURE	CRI	TC LIFETIME	BEAM ANGLE
5230.272.25.Δ	GU10	Philips	265lm	4W	66lm/W	2700K	>90	50.000 Hrs	25°
5230.279.36.Δ	GU10	Philips	265lm	4W	66lm/W	2700K	>90	50.000 Hrs	36°
5230.282.25.Δ	GU10	Philips	280lm	4W	70lm/W	3000K	>90	50.000 Hrs	25°
5230.290.36.Δ	GU10	Philips	280lm	4W	70lm/W	3000K	>90	50.000 Hrs	36°
5230.176.30.Δ	GU10	KL	305lm	5W	61lm/W	2000 - 3000K	>90	30.000 Hrs	30°

Δ See colors

 DTW