


<b>PRODUCT MATERIAL</b>	Aluminium
<b>LIGHT SOURCE</b>	Philips SLM Premium White
<b>MODULE LIFETIME</b>	Approx. 50.000 hours
<b>DRIVER</b>	Including Xitanium on/off driver
<b>COLORS</b>	○ 3 = RAL 9003 white
<b>BEAM ANGLE</b>	 60°
<b>ADJUSTABLE</b>	No
<b>SIZE</b>	Ø118 X 57mm

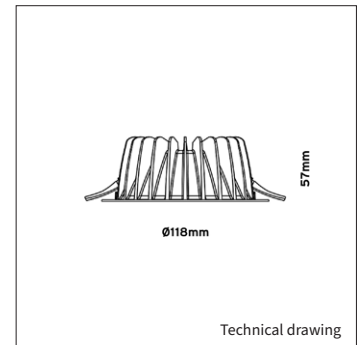
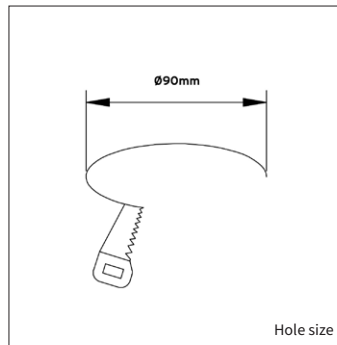


**OPTIONS**

<b>DRIVER OPTIONS</b>	<b>Phase cut</b> 200mA 6-8W Art. no.: 0108.200.20.3
	<b>DALI</b> 200mA 6-11W Art. no.: 0120.200.40.0
<b>POWER CABLE OPTIONS</b> Connected to driver/fixture	Europlug 2000mm 2 X 0,75 Art. no.: 0502.075.20.0
	Wieland GST 18/3 male 2000mm 3 X 0,75 Art. no.: 0501.183.20.0
	Wieland T connector GST 18/3 200mm 3 X 0,75 Art. no.: 0500.183.20.0
<b>WIRELESS DIMMABLE</b>	Masterconnect, Easy Air/Zigbee

**INFORMATION**

Nominal lifetime L90/B50 @50.000 h / 25°C



ARTICLE NUMBER	LAMP TYPE	BRAND	LUMINOUS FLUX	OUTPUT POWER	MODULE EFFICIENCY	COLOR TEMPERATURE	CRI	TC LIFETIME	mA
4081.100.60.3	SLM PW	Philips	1100lm	8W	138lm/W	3000K	>80	50.000 Hrs	225mA

Δ See colors