


PRODUCT MATERIAL	Aluminium
LIGHT SOURCE	Philips SLM Premium White
MODULE LIFETIME	Approx. 50.000 hours
DRIVER	Including driver
COLORS	○ 3 = RAL 9003 white
BEAM ANGLE	
ADJUSTABLE	No
SIZE	Ø190 X 78mm

OPTIONS

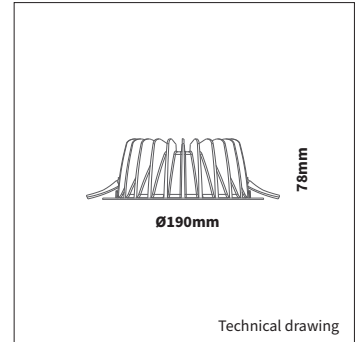
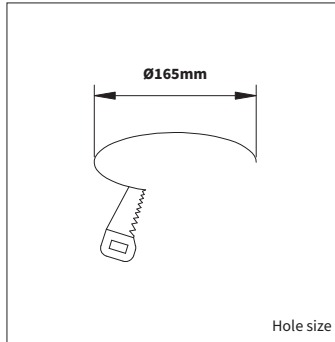
DRIVER OPTIONS	Phase cut 500mA 9-18W Art. no.: 0118.500.20.1	
	DALI 500mA 12-20W Art. no.: 0120.500.40.0	
POWER CABLE OPTIONS Connected to driver/fixture	Europlug 2000mm 2 X 0,75 Art. no.: 0502.075.20.0	Included
	Wieland GST 18/3 male 2000mm 3 X 0,75 Art. no.: 0501.183.20.0	
	Wieland T connector GST 18/3 200mm 3 X 0,75 Art. no.: 0500.183.20.0	
WIRELESS DIMMABLE	Masterconnect, Easy Air/Zigbee	



INFORMATION

Nominal lifetime L90/B50 @50.000 h - 25°C

Keylight International reserves the right to modify or change technical, construction or LED specifications due to continuous improvements of our products and light sources.



ARTICLE NUMBER	LAMP TYPE	BRAND	LUMINOUS FLUX	OUTPUT POWER	MODULE EFFICIENCY	COLOR TEMPERATURE	CRI	TC LIFETIME	mA
4082.240.60.3	SLM PW	Philips	2400lm	20W	120lm/W	3000K	>80	50.000 Hrs	500mA

Δ See colors