



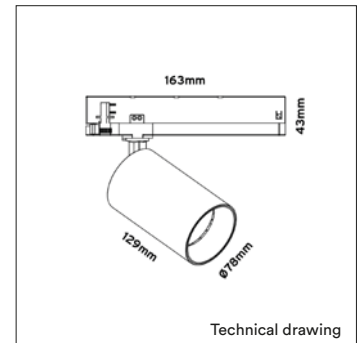


<b>PRODUCT MATERIAL</b>	Aluminium
<b>ADAPTER</b>	3-phase track adapter driver
<b>LIGHT SOURCE</b>	Philips SLM G7
<b>MODULE LIFETIME</b>	Approx. 50.000 hours
<b>DRIVER</b>	Including Xitanium driver
<b>COLORS (Δ)</b>	<ul style="list-style-type: none"> <li>○ 3 = RAL 9003 white</li> <li>● 5 = RAL 9005 black</li> </ul>
<b>BEAM ANGLE</b>	 24°
<b>ADJUSTABLE</b>	Horizontally and vertically rotational
<b>SIZE</b>	Ø78 X 129mm



**OPTIONS**


<b>OPTIONAL BEAM ANGLE</b>	 18°	Art. no.: 3147.010.18.0
	 36°	Art. no.: 3147.010.36.0
	 60°	Art. no.: 3147.010.60.0
<b>ANTI-GLARE RING</b>	Black anti-glare ring	Included
	Gold anti-glare ring	Art. no.: 3047.999.00.9
<b>HONEYCOMB</b>	Honeycomb	Art. no.: 3084.933.94.0
<b>DIMMABLE</b>	DALI dimmable	
<b>WIRELESS DIMMABLE</b>	Masterconnect, Easy Air/Zigbee	



**INFORMATION**

Nominal lifetime L90/B50 @50.000 h / 25°C

This luminaire is also available in 1100lm SLM on request

 The light source in this product can be replaced with an equivalent module made by Philips, Osram or Tridonic.

**ANTI-GLARE RING**



**HONEYCOMB**



**AVAILABLE SLM OPTIONS**

To order the correct product, please replace **COB\*** in the article number field with the COB code found on the last page of the catalogue

ARTICLE NUMBER	LUMINOUS FLUX	BRAND	COLOR TEMPERATURE	SETTING
Δ See colors				
3147. <b>COB*</b> .25.Δ	2000lm	Philips SLM G7	927 / 830 / 930 / 835 / 840 / 850	High Efficiency
3147. <b>COB*</b> .25.Δ	2000lm	Philips SLM G7	Premium White 830 / 930 / 935 / 940	High Efficiency
3147. <b>COB*</b> .25.Δ	2000lm	Philips SLM G7	Premium White HE 930	High Efficiency
3147. <b>COB*</b> .25.Δ	2000lm	Philips SLM G7	Premium Color 930	High Efficiency
3147. <b>COB*</b> .25.Δ	2000lm	Philips SLM G7	Food: Bakery / Iced Seafood / Live Seafood	High Efficiency
3147. <b>COB*</b> .25.Δ	3000lm	Philips SLM G7	827 / 927 / 830 / 930 / 835 / 840 / 850 / 857	High Efficiency
3147. <b>COB*</b> .25.Δ	3000lm	Philips SLM G7	Premium White 830 / 930 / 935 / 940	High Efficiency
3147. <b>COB*</b> .25.Δ	3000lm	Philips SLM G7	Premium White HE 930	High Efficiency

 High efficiency is the standard Keylight setting for all SLM G7 LED modules. For COB LED specification and warranty information regarding high efficiency, see last page of the catalogue.  
Standard system warranty is 5 years.