




ESCAPE EXIT



PRODUCT MATERIAL	Aluminium
PANEL	Acrylic board with imprinted dot-matrix lens diffusion
LIGHTSOURCE	SMD 3528 - 14PCS
COLORS	○ 3 = RAL 9003 white ● 5 = RAL 9005 black
VIEWING DISTANCE	30m
SIZE	330 X 251 X 15mm

INFORMATION

MOUNTING OPTIONS	Wall surface	Standard
	Ceiling	Standard
	Side	Standard
	3 phase track	Option

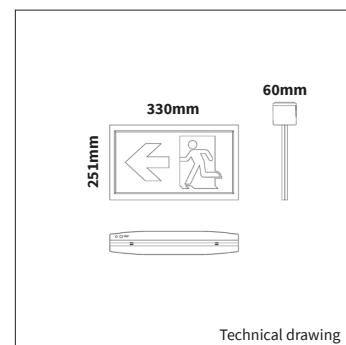
PICTOGRAMS (INCL.)	 1x blanc
	 2x arrow up
	 2x arrow left/right

EMERGENCY BATTERY	Including sealed nickel-cadmium rechargeable battery pack (1 hour)
--------------------------	--

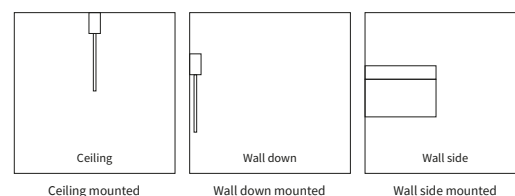
AUTO MAINTENANCE	Once the unit is powered up it will automatically initiate a self test and diagnostics. Detailed specifications on request.
-------------------------	---

E N STANDARD	On request
---------------------	------------

REPLACEMENT BATTERY	Art. no.: 0551.000.00.3
----------------------------	-------------------------



Standard mounting possibilities art. no.: 0551.999.50.Δ



Keylight International reserves the right to modify or change technical, construction or LED specifications due to continuous improvements of our products and lightsources.

ARTICLE NUMBER	LAMP TYPE	LIGHT OUTPUT	EMERGENCY LUMEN OUTPUT	MODULE POWER	BATTERY CHARGE DURATION	BATTERY LIFETIME WHEN DISCONNECTED	BATTERY	VIEWING DISTANCE
SURFACE								
0551.999.50.3 (white)	SMD LED 3528	50lm	13lm	4W	24 Hrs	1 Hr	Ni_Cd 3.6v 800mA	30m
0551.999.50.5 (black)	SMD LED 3528	50lm	13lm	4W	24 Hrs	1 Hr	Ni_Cd 3.6v 800mA	30m
TRACK 3F ADAPTER								
0551.300.50.3 (white)	SMD LED 3528	50lm	13lm	4W	24 Hrs	1 Hr	Ni_Cd 3.6v 800mA	30m
0551.300.50.5 (black)	SMD LED 3528	50lm	13lm	4W	24 Hrs	1 Hr	Ni_Cd 3.6v 800mA	30m