


PRODUCT MATERIAL	Stainless steel and ABS plastics
LIGHT SOURCE	Cree XP-E
MODULE LIFETIME	Approx. 30.000 hours
DRIVER	Option
COLORS	● 8 = Stainless steel
BEAM ANGLE	 40°
SIZE	Ø107 X 163mm



OPTIONS

HONEYCOMB	Art. no.: 3055.999.94.9
DIMMABLE	On request For centralized drivers please contact sales




INFORMATION

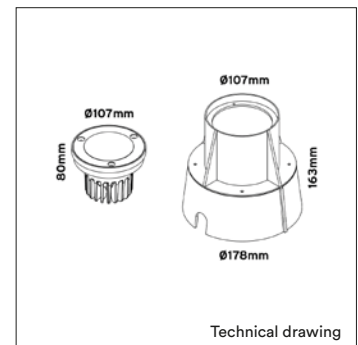
Tempered glass standard

Lens plate black colored and adjustable

Including 1,5m cable

Stainless steel ring (316)

 For mounting instructions please visit www.key-light.nl. Full warranty only applies when fixture is mounted according to these instructions.



HONEYCOMB



Honeycomb

ARTICLE NUMBER	LAMP TYPE	BRAND	LUMINOUS FLUX	OUTPUT POWER	MODULE EFFICIENCY	COLOR TEMPERATURE	CRI	TC LIFETIME	mA	Driver
8108.990.30.8	XP-E	Cree	306lm	8,3W	37lm/W	2700K	>80	30.000 Hrs		Included
8108.700.40.8	XP-E	Cree	306lm	8,3W	37lm/W	2700K	>80	30.000 Hrs	700mA	Excluded