

FLOOR 25



PRODUCT MATERIAL	Aluminium body
LIGHT SOURCE	CXA
MODULE LIFETIME	Approx. 30.000 hours
COLORS	● 8 = Stainless steel
BEAM ANGLE	55°
SIZE	Ø123 X 158mm

OPTIONS

OPTION DRIVERS	On request
-----------------------	------------

INFORMATION

WARRANTY	2 Years
-----------------	---------

Tempered glass standard

Including 1,5m cable

Stainless steel ring (316)

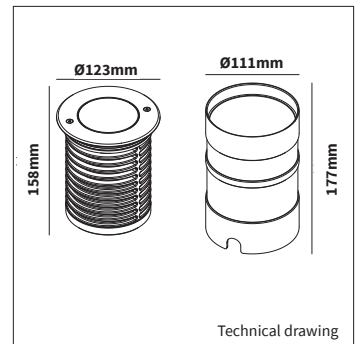
IK 10

500mA is excluding driver, 230V is including driver

Keylight International reserves the right to modify or change technical, construction or LED specifications due to continuous improvements of our products and lightsources.



FLOOR 25



ART.NR.	LAMP TYPE	BRAND	LUMINOUS FLUX	OUTPUT POWER	MODULE EFFICIENCY	COLOUR TEMPERATURE	CRI	BEAM ANGLE	TC LIFETIME	mA/V
8109.000.55.8	CXA	Cree	1450lm	18W	81lm/W	2700K	>80	55°	30.000 Hrs	500mA
8109.500.55.8	CXA	Cree	1450lm	18W	81lm/W	2700K	>80	55°	30.000 Hrs	230V

