

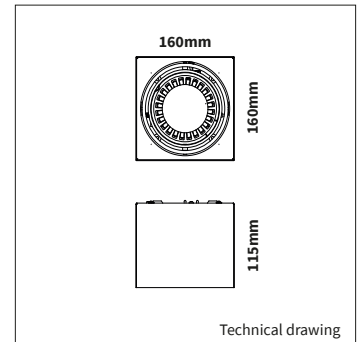


PRODUCT MATERIAL	Steel and aluminium
LIGHT SOURCE	QR111 LED
MODULE LIFETIME	Approx. 35.000 hours
DRIVER	Excluding driver, select option
COLORS (Δ)	<input type="radio"/> 3 = RAL 9003 white <input type="radio"/> 5 = RAL 9005 black <input type="radio"/> 6 = RAL 9006 alu
BEAM ANGLE	<input checked="" type="checkbox"/> 24° <input checked="" type="checkbox"/> 40°
ADJUSTABLE	Yes
SIZE	160 X 160 X 115mm



OPTIONS

COLORS	The standard colors, as stated above, can be combined with the fixture inside / outside No additional price
	Available in all RAL colors and color combinations on request Additional price 10%
DRIVER OPTIONS	On/off 350mA 11-16W Art. no.: 0116.350.10.3
	Phase cut 350mA 10-14W Art. no.: 0114.350.20.0
	1/10V 350mA 1-15W Art. no.: 0115.350.30.0
	DALI 350mA 8-19W Art. no.: 0120.350.40.0



INFORMATION

3 and 4 light luminaire available on request

Always select a driver option and add the selected driver to your order.
Full warranty only applies when fixture is purchased in combination with recommended driver.

Keylight International reserves the right to modify or change technical, construction or LED specifications due to continuous improvements of our products and lightsources.

ARTICLE NUMBER	LAMP TYPE	BRAND	LUMINOUS FLUX	OUTPUT POWER	MODULE EFFICIENCY	COLOR TEMPERATURE	CRI	TC LIFETIME	BEAM ANGLE	mA
Δ See colors										
5104.606.24.Δ	QR111	KL	600lm	12W	50lm/W	2700K	>90	35.000 Hrs	24°	350mA
5104.606.40.Δ	QR111	KL	600lm	12W	50lm/W	2700K	>90	35.000 Hrs	40°	350mA
5104.175.24.Δ	QR111	KL	700lm	15W	50lm/W	2000 - 3200K 9TW	>90	35.000 Hrs	24°	350mA
5104.176.40.Δ	QR111	KL	700lm	15W	50lm/W	2000 - 3200K 9TW	>90	35.000 Hrs	40°	350mA