

PRODUCT MATERIAL	Steel housing, aluminium gear tray
LIGHT SOURCE	SMD2835
MODULE LIFETIME	Approx. 50.000 hours
DRIVER	Including on/off driver
COLORS	○ 3 = RAL 9003 white
REFLECTOR	Opal polycarbonate
ADJUSTABLE	No
SIZE	See technical drawing



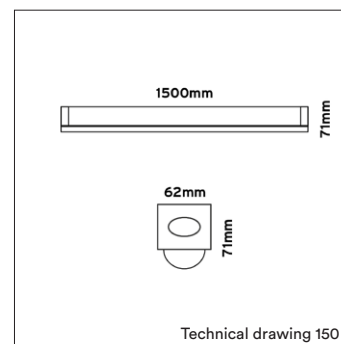
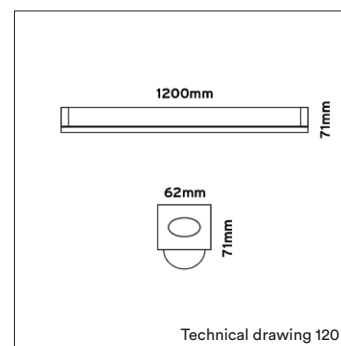
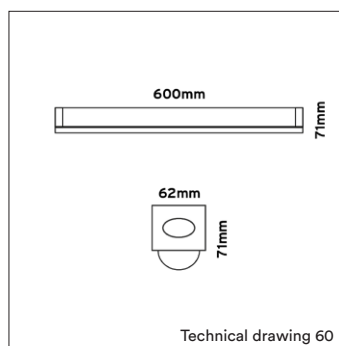
OPTIONS

DIMMABLE	DALI dimmable	On request
	1-10V dimmable	On request
EMERGENCY	Emergency time:	3 hours
DAYLIGHT SENSOR (INFRARED)	On/off	Art. no.: 1090.100.10.1 Remote control for sensor On/off Art. no.: 1090.000.10.1

INFORMATION

Ripple free driver

EM = Emergency module



ARTICLE NUMBER	LAMP TYPE	BRAND	LUMINOUS FLUX	OUTPUT POWER	MODULE EFFICIENCY	COLOR TEMPERATURE	CRI	TC LIFETIME	LENGTH
LINE ECO 60									
5023.060.20.3	SMD2835	Everlight	2000lm	20W	100lm/W	3000K	>80	50.000 Hrs	600mm
LINE ECO 120									
5023.121.30.3	SMD2835	Everlight	3000lm	30W	100lm/W	3000K	>80	50.000 Hrs	1200mm
5023.120.30.3	SMD2835	Everlight	3300lm	30W	110lm/W	4000K	>80	50.000 Hrs	1200mm
5023.120.30.3EM	SMD2835	Everlight	3300lm	30W	110lm/W	4000K	>80	50.000 Hrs	1200mm
LINE ECO 150									
5023.150.45.3	SMD2835	Everlight	5000lm	45W	111lm/W	4000K	>80	50.000 Hrs	1500mm
5023.150.45.3EM	SMD2835	Everlight	5000lm	45W	111lm/W	4000K	>80	50.000 Hrs	1500mm