


PRODUCT MATERIAL	Die-cast aluminium
LIGHT SOURCE	Bridgelux V8 Array
MODULE LIFETIME	Approx. 35.000 hours
DRIVER	Including Phase cut dimmable driver
COLORS (Δ)	● 5 = RAL 9005 black ● 35 = RAL 9003 white + 9005 black
BEAM ANGLE	 32°
ADJUSTABLE	350° rotational 90° rotational spot head
SIZE	Ø100 X 212 X 103mm



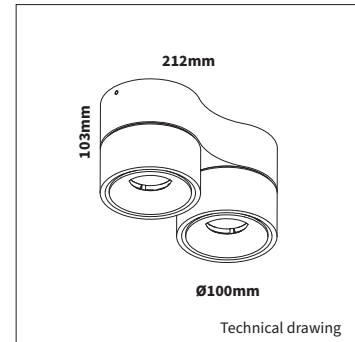
OPTIONS

DRIVER OPTIONS	1/10V	500mA 13-20W Art. no.: 0120.500.30.3
	DALI	500mA 12-20W Art. no.: 0120.500.40.2

INFORMATION

Full warranty only applies when fixture is purchased in combination with recommended driver.

Keylight International reserves the right to modify or change technical, construction or LED specifications due to continuous improvements of our products and light sources.



ARTICLE NUMBER	LAMP TYPE	BRAND	LUMINOUS FLUX	OUTPUT POWER	MODULE EFFICIENCY	COLOR TEMPERATURE	CRI	TC LIFETIME	mA
6002.179.33.Δ	V8 Array	Bridgelux	2 X 845lm	2 X 9,2W	91lm/W	2700K	>90	35.000 Hrs	500mA

Δ See colors