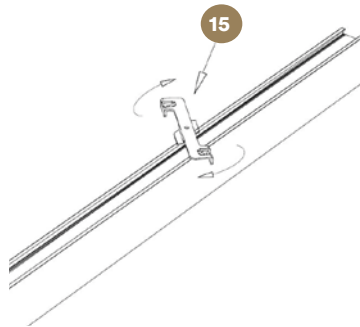
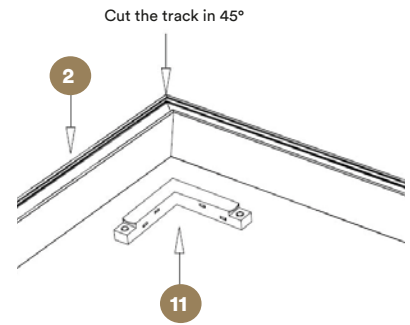


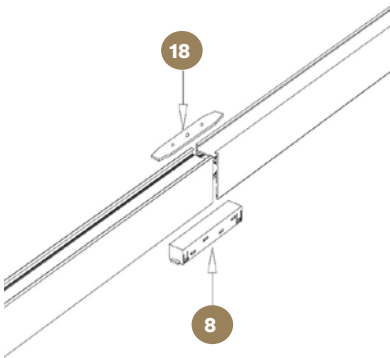
SUSPENDED CORNER 90°



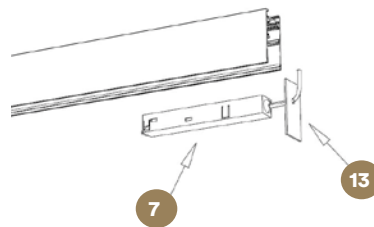
SURFACE



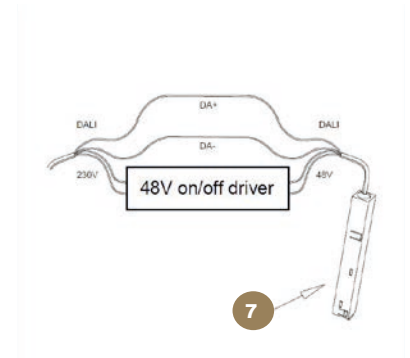
SURFACE CORNER 90° (CUT THE TRACK IN 45°)



STRAIGHT CONNECTION

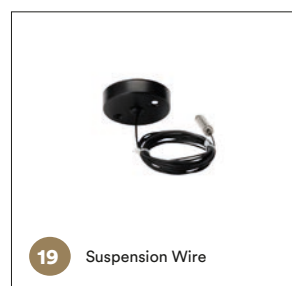
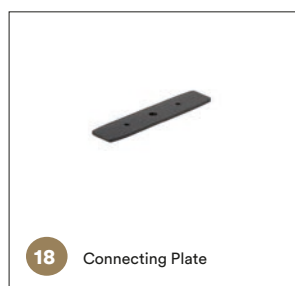
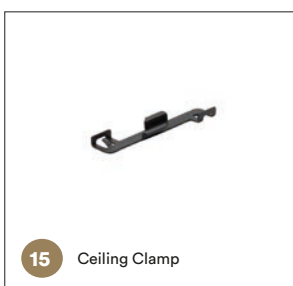
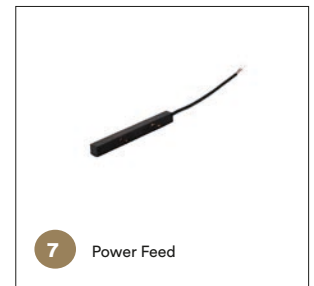
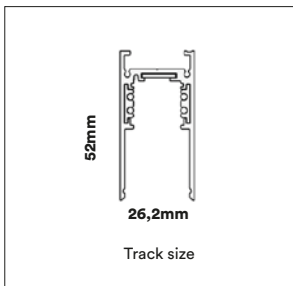


END TRACK



POWER FEED CONNECTION

ACCESSORIES



ARTICLE NUMBER	DESCRIPTION	ACCESSORY NUMBER	COLOR
5833.996.99.5	Magnet Track High Surface 3000mm Black	2	Black
ARTICLE NUMBER	DESCRIPTION	LENGTH	COLOR
5850.996.99.5	Magnet Track Corner 90° High Black	5	Black
ARTICLE NUMBER	DESCRIPTION	ACCESSORY NUMBER	COLOR
5852.998.99.5	Magnet Power Feed Black incl. 3m cable	7	Black
ARTICLE NUMBER	DESCRIPTION	ACCESSORY NUMBER	COLOR
5854.998.99.5	Magnet Straight Connector Black	8	Black
ARTICLE NUMBER	DESCRIPTION	ACCESSORY NUMBER	COLOR
5853.998.99.5	Magnet Corner Connector Black	9	Black
ARTICLE NUMBER	DESCRIPTION	ACCESSORY NUMBER	COLOR
5851.998.99.5	Magnet L-connector Black (Inside track) Use when you cut the track in 45 degrees	11	Black
ARTICLE NUMBER	DESCRIPTION	ACCESSORY NUMBER	COLOR
5864.996.99.5	Magnet End Cap High/Recessed Black	13	Black
ARTICLE NUMBER	DESCRIPTION	ACCESSORY NUMBER	COLOR
5865.996.99.5	Magnet Ceiling Clamp High/Recessed Black	15	Black
ARTICLE NUMBER	DESCRIPTION	ACCESSORY NUMBER	COLOR
5890.996.99.5	Magnet Connecting Plate High/Recessed Black	18	Black
ARTICLE NUMBER	DESCRIPTION	ACCESSORY NUMBER	COLOR
5888.995.99.5	Magnet Suspension Wire with quick release Clamp 3m Black	19	Black

