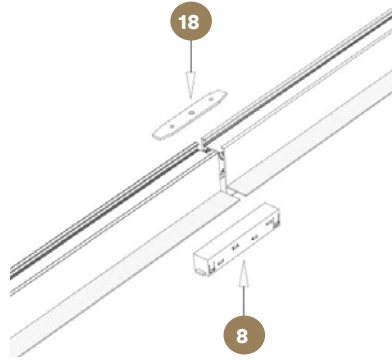
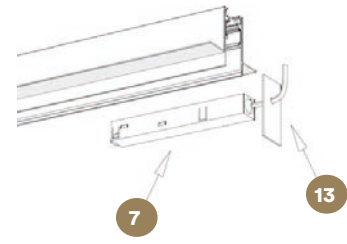


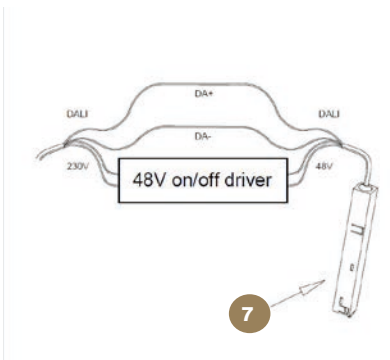
CORNER 90°



STRAIGHT CONNECTION

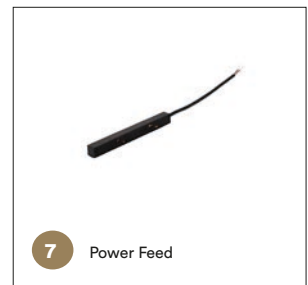
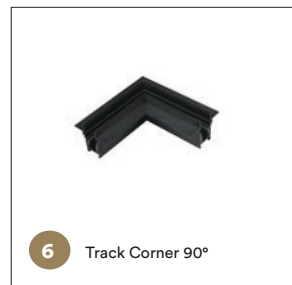
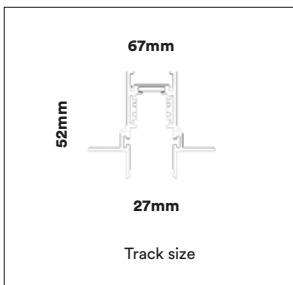


END TRACK



POWER FEED CONNECTION

ACCESSORIES



MAGNET RECESSED 48V SYSTEM

ARTICLE NUMBER	DESCRIPTION	ACCESSORY NUMBER	COLOR
5833.997.99.5	Magnet Track High Recessed 3000mm Black	3	Black
5850.997.99.5	Magnet Track Corner 90° Recessed Black	6	Black
5852.998.99.5	Magnet Power Feed Black incl. 3m cable	7	Black
5854.998.99.5	Magnet Straight Connector Black	8	Black
5853.998.99.5	Magnet Corner Connector Black	9	Black
5864.996.99.5	Magnet End Cap High/Recessed Black	13	Black
5890.996.99.5	Magnet Connecting Plate High/Recessed Black	18	Black





ARTICLE NUMBER	VOLTAGE	WATTAGE	IP
DRIVERS			
0148.060.10.0	48VDC	60W	IP67
0148.100.10.1	48VDC	150W	IP67
0148.150.10.1	48VDC	150W	IP67
0148.240.10.0	48VDC	240W	IP67
0148.320.10.0	48VDC	320W	IP67



ARTICLE NUMBER	COLOR	VOLTAGE	WATTAGE	IP
INTRACK DRIVERS				
0148.100.40.3	White	48VDC	100W	IP20
0148.100.40.5	Black	48VDC	100W	IP20
0148.250.40.3	White	48VDC	250W	IP20
0148.250.40.5	Black	48VDC	250W	IP20



The 100W InTrack driver is invisible in all Magnet Tracks. The 250W InTrack driver is only invisible in the Magnet Track High and Recessed, in the Low track it's visible for 25mm.

 Full warranty only applies when fixtures are purchased in combination with recommended driver.