




<b>PRODUCT MATERIAL</b>	Die-cast Aluminium
<b>LIGHT SOURCE</b>	Cree LED module
<b>MODULE LIFETIME</b>	Approx. 35.000 hours
<b>DRIVER</b>	Including on/off driver
<b>COLORS (Δ)</b>	<input type="radio"/> 3 = RAL 9003 white <input checked="" type="radio"/> 5 = RAL 9005 black
<b>BEAM ANGLE</b>	 30°
<b>ADJUSTABLE</b>	No
<b>SIZE</b>	Ø30 X 24mm

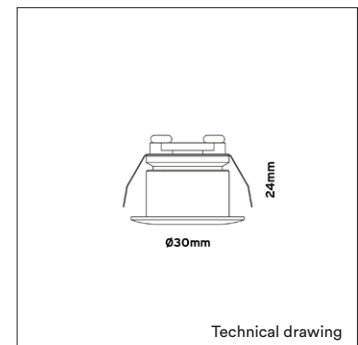
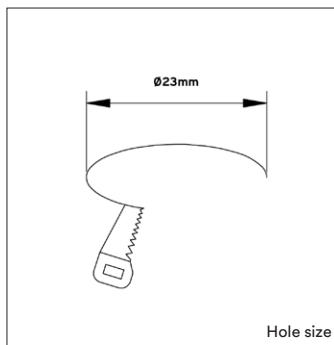


## OPTIONS

<b>DRIVER OPTIONS</b>	<b>1/10V</b> 250mA 1-14W Art. no.: 0114.250.30.0 Max. 6 fixtures connected in serie per driver
	<b>DALI</b> 250mA 5-13W Art. no.: 0110.250.40.0 3-6 fixtures connected in serie per driver
<b>POWER CABLE OPTIONS</b> Connected to driver/fixture	Europlug 2000mm 2 X 0,75 Art. no.: 0502.075.20.0
	Wieland GST 18/3 male 2000mm 3 X 0,75 Art. no.: 0501.183.20.0
	Wieland T connector GST 18/3 200mm 3 X 0,75 Art. no.: 0500.183.20.0

## INFORMATION

-  Full warranty only applies when fixture is purchased in combination with recommended driver.
-  Due to the small hole size, the drivers can only be placed externally



ARTICLE NUMBER	LAMP TYPE	BRAND	LUMINOUS FLUX	OUTPUT POWER	MODULE EFFICIENCY	COLOR TEMPERATURE	CRI	TC LIFETIME	mA
4310.002.30.Δ	LED module	Cree	65lm	2W	32lm/W	2700K	>90	35.000 Hrs	250mA

Δ See colors