

PRODUCT MATERIAL	Die-cast Aluminium
LIGHT SOURCE	Cree LED module
MODULE LIFETIME	approx. 35.000 hours
DRIVER	Including on/off driver
COLORS (Δ)	○ 3 = RAL 9003 white ● 5 = RAL 9005 black
BEAM ANGLE	24°
ADJUSTABLE	No
SIZE	Ø63 X 68mm



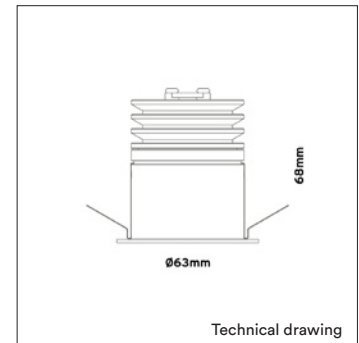
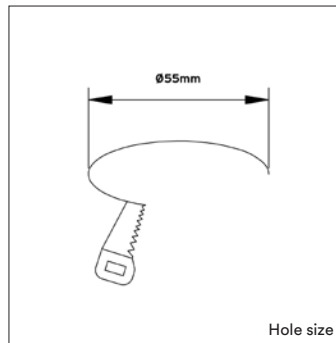
OPTIONS

DRIVER OPTIONS	Phase cut 500mA 4-10W Art. no.: 0110.500.20.5 Size: 100 x 50 x 19mm
	DALI 500mA 4-18W Art. no.: 0118.500.40.0 Size: 95 x 53 x 30mm This driver can only be placed externally Max. 3 fixtures connected in serie per driver
POWER CABLE OPTIONS Connected to driver/fixture	Europlug 2000mm 2 X 0,75 Art. no.: 0502.075.20.0
	Wieland GST 18/3 male 2000mm 3 X 0,75 Art. no.: 0501.183.20.0
	Wieland T connector GST 18/3 200mm 3 X 0,75 Art. no.: 0500.183.20.0

INFORMATION

Including 1500mm wire and plug

⚠ Full warranty only applies when fixture is purchased in combination with recommended driver.



ARTICLE NUMBER	LAMP TYPE	BRAND	LUMINOUS FLUX	OUTPUT POWER	MODULE EFFICIENCY	COLOR TEMPERATURE	CRI	TC LIFETIME	mA
4320.005.24.Δ	LED module	Cree	229lm	5W	46lm/W	2700K	>90	35.000 Hrs	500mA

Δ See colors