

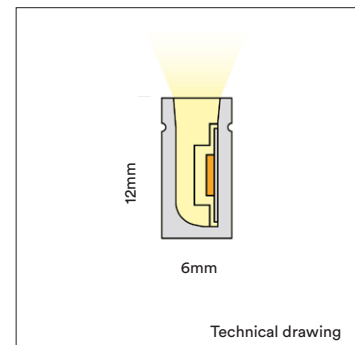
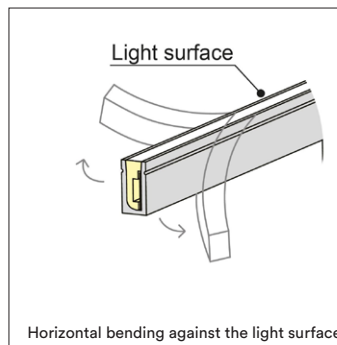
INFORMATION



- The feed cable is available in 3 directions: Straight, side and down.
- Maximum driving distance (single-ended feed): 10 meters per unit, freely cut as a minimum with the connectors.
- Beam angle 120°.
- Minimum bending diameter 60mm.
- Horizontal bending against the optical plane.
- In a cuttable group, the other LEDs still work without dark areas if one LED is broken.
- Special design, even if one or more internal FPC cards are damaged, it can still work normally.
- Matte finish, smooth surface, dustproof.
- UV and salt water resistant.
- Silicone extruded neon tubing.
- Customizable.
- Free cuttable



! The connectors have a wider dimension than the neonflex itself



ARTICLE NUMBER	VOLT	WATT PER 1M	COLOR TEMPERATURE	LUMEN PER 1M	CUTTING LENGTH	LENGTH	SIZE	IP	CRI
0330.240.06.0	24V	10W	2400K	189lm	Free cut	10.000mm	6X12mm	IP67	>95+
0330.270.06.0	24V	10W	2700K	210lm	Free cut	10.000mm	6X12mm	IP67	>95+
0330.300.06.0	24V	10W	3000K	220lm	Free cut	10.000mm	6X12mm	IP67	>95+
0330.350.06.0	24V	10W	3500K	240lm	Free cut	10.000mm	6X12mm	IP67	>95+

ARTICLE NUMBER	DESCRIPTION	COLOR	LENGTH	WIDTH	HEIGHT
0330.998.06.1	NeonFlex SV Mini 6X12 Mounting Bracket	aluminium	25mm	8.6mm	14.6mm
0330.998.06.0	NeonFlex SV Mini 6X12 Aluminium Mounting Profile	aluminium	1000mm	8.6mm	14.6mm
ARTICLE NUMBER	DESCRIPTION	CABLE LENGTH	LENGTH	WIDTH	HEIGHT
0330.999.06.0	NeonFlex SV Mini 6X12 End Cap		12mm	7.8mm	13.8mm
0330.999.06.1	NeonFlex SV Mini 6X12 End Cap + Feed Straight 2Pin	300mm	38mm	12.2mm	17.8mm
0330.999.06.3	NeonFlex SV Mini 6X12 End Cap + Feed Left Side 2Pin	300mm	38mm	12.2mm	17.8mm
0330.999.06.4	NeonFlex SV Mini 6X12 End Cap + Feed Right Side 2Pin	300mm	38mm	12.2mm	17.8mm
0330.999.06.2	NeonFlex SV Mini 6X12 End Cap + Feed Bottom 2Pin	300mm	38mm	12.2mm	17.8mm
0330.999.06.5	NeonFlex SV Mini 6X12 Jumper Connector Straight 2Pin	300mm	38mm	12.2mm	17.8mm