

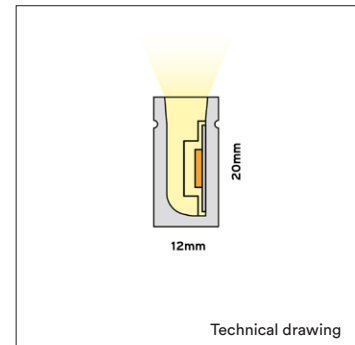
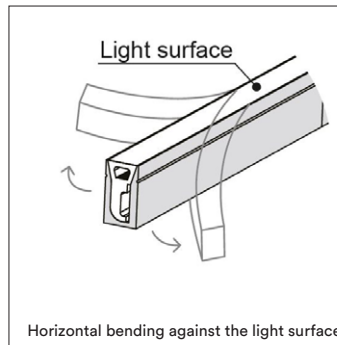
**INFORMATION**



- The feed cable is available in 1 direction: Straight.
- Maximum driving distance (single-ended feed): 5 meters per unit, minimum diameter 62.5mm with the connectors.
- Beam angle 130°.
- Minimum bending diameter 190mm.
- Horizontal bending against the optical plane.
- In a cuttable group, the other LEDs still work without dark areas if one LED is broken.
- Special design, even if one or more internal FPC cards are damaged, it can still work normally.
- Matte finish, smooth surface, dustproof.
- UV and salt water resistant.
- Silicone extruded neon tubing.
- Customizable.
- Cutting length 62.5mm



**!** The connectors have a wider dimension than the neonflex itself



ARTICLE NUMBER	VOLT	WATT PER 1M	COLOR TEMPERATURE	LUMEN PER 1M	CUTTING LENGTH	LENGTH	SIZE	IP	CRI
0330.125.11.0	24V	15W	RGB-W	200lm	62.5mm	10.000mm	11X20mm	IP67	>95+



ARTICLE NUMBER	DESCRIPTION	COLOR	LENGTH	WIDTH	HEIGHT
0330.000.25.0	NeonFlex SV 11x20 Mounting Bracket	aluminium	25mm	13.6mm	22.9mm



0330.000.00.0	NeonFlex SV 11x20 Aluminium Mounting Profile	aluminium	1000mm	13.6mm	22.9mm
---------------	--	-----------	--------	--------	--------



0330.001.00.0	NeonFlex SV 11x20 Bendable Mounting Profile	aluminium	2000mm	12.5mm	19.5mm
---------------	---	-----------	--------	--------	--------



ARTICLE NUMBER	DESCRIPTION	CABLE LENGTH	LENGTH	WIDTH	HEIGHT
0330.999.00.1	NeonFlex SV 11x20 End Cap		15mm	13.6mm	22.6mm



0330.999.11.3	NeonFlex SV RGB-W 11x20 End Cap + Feed Straight 5pin	300mm	53.3mm	19mm	27.2mm
---------------	--	-------	--------	------	--------



0330.999.11.3	NeonFlex SV RGB-W 11x20 Jumper Connector Straight 5pin	300mm	53.5mm	19mm	27.2mm
---------------	--	-------	--------	------	--------