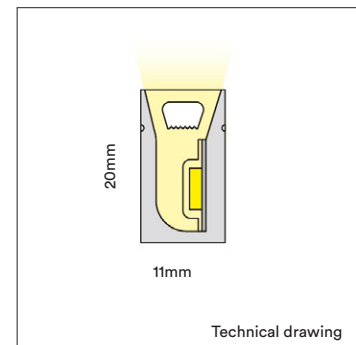
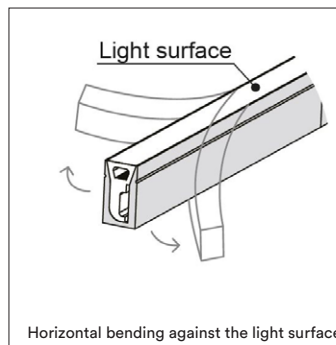


INFORMATION



- The feed cable is available in 3 directions: Straight, side and down.
- Maximum driving distance (single-ended feed): 10 meters per unit, freely cut as a minimum with the connectors.
- Beam angle 120°.
- Minimum bending diameter 190mm.
- Horizontal bending against the optical plane.
- In a cuttable group, the other LEDs still work without dark areas if one LED is broken.
- Special design, even if one or more internal FPC cards are damaged, it can still work normally.
- Matte finish, smooth surface, dustproof.
- UV and salt water resistant.
- Silicone extruded neon tubing.
- Customizable.
- Free cuttable

! The connectors have a wider dimension than the neonflex itself



ARTICLE NUMBER	VOLT	WATT PER 1M	COLOR TEMPERATURE	LUMEN PER 1M	CUTTING LENGTH	LENGTH	SIZE	IP	CRI
0330.240.11.0	24V	15W	2400K	212lm	Free cut	10.000mm	11X20mm	IP67	>95+
0330.270.11.0	24V	15W	2700K	235lm	Free cut	10.000mm	11X20mm	IP67	>95+
0330.300.11.0	24V	15W	3000K	240lm	Free cut	10.000mm	11X20mm	IP67	>95+
0330.350.11.0	24V	15W	3500K	255lm	Free cut	10.000mm	11X20mm	IP67	>95+



ARTICLE NUMBER	DESCRIPTION	COLOR	LENGTH	WIDTH	HEIGHT
0330.000.25.0	NeonFlex SV 11x20 Mounting Bracket	aluminium	25mm	13.6mm	22.9mm
0330.000.00.0	NeonFlex SV 11x20 Aluminium Mounting Profile	aluminium	1000mm	13.6mm	22.9mm
0330.001.00.0	NeonFlex SV 11x20 Bendable Mounting Profile	aluminium	2000mm	12.5mm	19.5mm
ARTICLE NUMBER	DESCRIPTION	CABLE LENGTH	LENGTH	WIDTH	HEIGHT
0330.999.00.1	NeonFlex SV 11x20 End Cap		15mm	13.6mm	22.6mm
0330.999.00.3	NeonFlex SV 11x20 End Cap + Feed Straight 2pin	300mm	53.3mm	19mm	27.2mm
0330.999.00.4	NeonFlex SV 11x20 End Cap + Feed Left Side 2pin	300mm	53.3mm	19mm	27.2mm
0330.999.00.2	NeonFlex SV 11x20 End Cap + Feed Bttom 2pin	300mm	53.3mm	19mm	27.2mm
0330.981.11.0	NeonFlex SV 11x20 Jumper Connector Straight 2pin	300mm	53.5mm	19mm	27.2mm