



PRODUCT MATERIAL	Steel and aluminium
ADAPTER	3-phase track adapter
LIGHT SOURCE	Philips LED module
MODULE LIFETIME	Approx. 50.000 hours
ADAPTER	Including integrated driver
COLORS (Δ)	<ul style="list-style-type: none"> ○ 3 = RAL 9003 white ● 5 = RAL 9005 black ● 6 = RAL 9006 alu
REFLECTOR	Aluminium white
SIZE	See technical drawing



OPTIONS

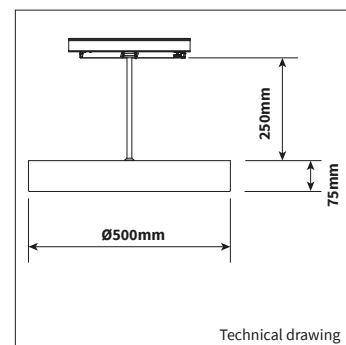
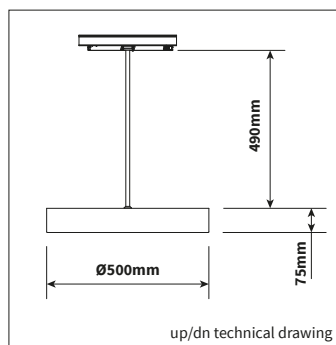
COLORS	Available in all RAL colours on request Additional price + 10%
DIMMABLE	DALI dimmable
DIFFUSER	White opalic diffuser in standard
MOVEMENT SENSOR	On request
DAYLIGHT CONTROL SENSOR	On request

INFORMATION

Available in surface mounted or up/dn version

Also available in pendant version

Keylight International reserves the right to modify or change technical, construction or LED specifications due to continuous improvements of our products and lightsources. The light source in this product can be replaced with an equivalent module made by Philips, Osram or Tridonic.



DIFFUSER



White opalic

ARTICLE NUMBER	LAMP TYPE	BRAND	LUMINOUS FLUX	OUTPUT POWER	MODULE EFFICIENCY	COLOR TEMPERATURE	CRI	TC LIFETIME
Δ See colors								
3072.500.30.Δ	LED module	Philips	4200lm	29W	145lm/W	3000K	>80	50.000 Hrs
3072.500.40.Δ	LED module	Philips	4200lm	29W	145lm/W	4000K	>80	50.000 Hrs
Orbit 50 T UP/DN								
3073.500.30.Δ	LED module	Philips	4500lm	34W	132lm/W	3000K	>80	50.000 Hrs
3073.500.40.Δ	LED module	Philips	4500lm	35W	132lm/W	4000K	>80	50.000 Hrs