

PRODUCT MATERIAL	Steel and aluminium
LIGHT SOURCE	Philips Ledline
MODULE LIFETIME	Approx. 50.000 hours
DRIVER LEDLINE	Including DALI 2.0 driver
COLORS (Δ)	<ul style="list-style-type: none"> ○ 3 = RAL 9003 white ● 5 = RAL 9005 black ● 6 = RAL 9006 alu
DIFFUSER	Opalic white
ADJUSTABLE	No
SIZE	Different sizes available



SPECIAL FEATURES

Human Centric Lighting

Our Tunable White luminaires open completely new possibilities to achieve variable settings of colour temperature from 2700K warm white through neutral to 6500K cold white. This allows to achieve optimized light settings for variable type of projects and applications.

Tunable White solution find its use in offices, schools, health care facilities, hospitality business and all other projects where imitation of changing lighting conditions can be used to improve the quality of people working and living.

Light colour temperature change from warm, relaxing white to activating cold white promotes productivity and the opposite light colour temperature change helps to rest after intensive work. Our Tunable White Luminaires have positive influence on the wellbeing of people which experience it.

OPTIONS

COLORS	Available in all RAL colours on request Additional price + 10%
SUSPENSION SET	Suspension set 1500mm
DIFFUSER	White opalic diffuser in standard
EMERGENCY	3 hours
IP CLASS	IP20 in standard, IP44 on request
COLOUR RENDERING INDEX	>80 in standard, other on request
MOVEMENT SENSOR	On request
DAYLIGHT CONTROL SENSOR	On request
TUNABLE WHITE	Standard included
CYAN ENHANCED STATIC	On request

DIFFUSER



White opalic

INFORMATION

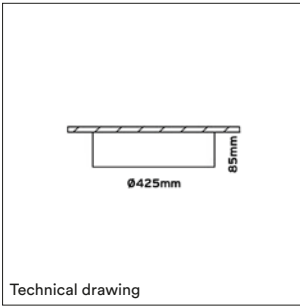
Nominal lifetime L90/B10 @60.000 h / 25°C



Bespoke size & product features available

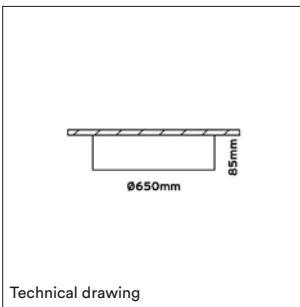


The light source in this product can be replaced with an equivalent module made by Philips, Osram or Tridonic.



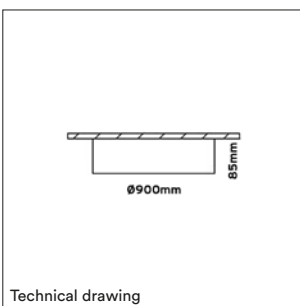
ARTICLE NUMBER	LENGTH	GROSS LUMEN OUTPUT	OUTPUT POWER	MODULE EFFICIENCY	COLOR TEMPERATURE	CRI
Δ See colors						
66.02100.TW.DT8.OP.Δ	Ø425mm	4000lm	28W	143lm/W	2700-6500K	>80

ORBIT 65 TW



ARTICLE NUMBER	LENGTH	GROSS LUMEN OUTPUT	OUTPUT POWER	MODULE EFFICIENCY	COLOR TEMPERATURE	CRI
Δ See colors						
66.02110.TW.DT8.OP.Δ	Ø650mm	4700lm	30W	157lm/W	2700-6500K	>80

ORBIT 90 TW



ARTICLE NUMBER	LENGTH	GROSS LUMEN OUTPUT	OUTPUT POWER	MODULE EFFICIENCY	COLOR TEMPERATURE	CRI
Δ See colors						
66.02120.TW.DT8.OP.Δ	Ø900mm	9600lm	60W	160lm/W	2700-6500K	>80