

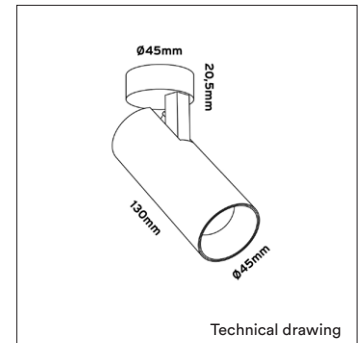


PRODUCT MATERIAL	Aluminium
LIGHT SOURCE	Bridgelux Chip
MODULE LIFETIME	Approx. 50.000 hours
DRIVER	Excluding driver, SELECT OPTION
COLORS (Δ)	<input type="radio"/> 3 = RAL 9003 white <input checked="" type="radio"/> 5 = RAL 9005 black <input type="radio"/> 1 = Dark bronze
BEAM ANGLE	Optional beam angle, SELECT OPTION
ADJUSTABLE	Horizontally and vertically rotational
SIZE	Ø45 X 130mm



OPTIONS

OPTIONAL BEAM ANGLE	Art. no.: 3149.000.15.0
	Art. no.: 3149.000.24.0
	Art. no.: 3149.000.36.0
ANTI-GLARE RING	Black anti-glare ring Included
	Gold anti-glare ring Art. no.: 3149.030.00.9
	Dark bronze anti-glare ring Art. no.: 3149.030.00.1
HONEYCOMB	Art. no.: 3149.040.00.0
GLASS	Striped Art. no.: 3149.933.96.0
	Frosted Art. no.: 3149.933.90.0
DRIVER OPTIONS	On/off 250mA 6-13W Art. no.: 0106.250.10.1
	Phase cut 250mA 7-10W Art. no.: 0110.250.20.4
	1/10V 250mA 1-11W Art. no.: 0111.250.30.0
	DALI2 250mA 6-13W Art. no.: 0114.250.40.1
POWER CABLE OPTIONS Connected to driver/fixture	Europlug 2000mm 2 X 0,75 Art. no.: 0502.075.20.0
	Wieland GST 18/3 male 2000mm 3 X 0,75 Art. no.: 0501.183.20.0
	Wieland T connector GST 18/3 200mm 3 X 0,75 Art. no.: 0500.183.20.0



ANTI-GLARE RING



Black Dark Bronze Gold

GLASS



Striped Frosted

HONEYCOMB



Honeycomb

INFORMATION

Always select a driver option and add the selected driver to your order.

Full warranty only applies when fixture is purchased in combination with recommended driver.

Due to the small hole size, the drivers can only be placed externally

ARTICLE NUMBER	LAMP TYPE	BRAND	LUMINOUS FLUX	OUTPUT POWER	MODULE EFFICIENCY	COLOR TEMPERATURE	CRI	TC LIFETIME	mA	Driver
3149.271.00.Δ	Chip	Bridgelux	650lm	10W	65lm/W	2700K	>90	35.000 Hrs	250mA	Excluded
3149.270.00.Δ	Chip	Bridgelux	650lm	10W	65lm/W	2700K	>90	35.000 Hrs	250mA	PC dim Included